

# WIDER LONGER

PERGO EXTREME FLOORING

The fashion-forward Wider Longer Collection from PERGO® EXTREME™ rigid vinyl flooring combines in-demand style with advanced engineering for deeper performance and visuals in the home. This dramatic mix of five greys and browns is perfect for crafting luxurious rooms that feel bigger than they actually are. The bold wider, longer format provides a hot, modern twist on the traditional hardwood floor that homeowners can't get enough of, giving these extra-large planks a truly captivating effect.

**PERGO**  
**EXTREME**



Cover: **SOULFUL GREY** PT002-442

Above: **CHOCOLATE TURTLE** PT002-474

**PRODUCT INFORMATION**

<b>Construction</b> .....	Rigid LVT
<b>Thickness</b> .....	7 mm with pad
<b>Wear Layer</b> .....	22 mils
<b>Bevel</b> .....	Micro
<b>Installation</b> .....	Uniclic Multifit
<b>Warranty</b> .....	Lifetime Residential, 10-Year Medium Commercial
<b>Plank Size</b> .....	10" x 72"
<b>Planks Per Carton</b> .....	4
<b>Sq. Ft. Per Carton</b> .....	19.07
<b>Cartons Per Pallet</b> .....	66

**DEEPER VISUALS**

**The wide-ranging authentic looks and deep textures are available in beautiful wood and stone patterns.**

**DEEPER PROTECTION**

**The superior wear layer and layered construction offers the best protection against wear and dents.**

**DEEPER WARRANTY**

**Industry-leading and worry-free for life - 100% dent-proof, waterproof, kid-proof and pet-proof.**



**CHOCOLATE TURTLE | 474**

PT002-474  
Micro Bevel  
Size - 10" X 72"

**CINNAMON BRULEE | 574**

PT002-574  
Micro Bevel  
Size - 10" X 72"

**MOON SAIL | 309**

PT002-309  
Micro Bevel  
Size - 10" X 72"

**SESAME | 577**

PT002-577  
Micro Bevel  
Size - 10" X 72"

**SOULFUL GREY | 942**

PT002-942  
Micro Bevel  
Size - 10" X 72"



DENT-PROOF



WATERPROOF



PET-PROOF



REALISTIC  
SURFACE  
TEXTURE



EASY  
TO CLEAN



APPROVED FOR  
ANY LEVEL



APPROVED FOR  
THREE SEASON  
ROOMS



APPROVED FOR  
RADIANT FLOOR  
HEATING



certified by  
SCS Global Services



The Pergo moisture resistant molding provides the functionality of a T-Molding and Reducer in a single, easy to install, piece. The unique flexible zone design of the track allows installation of the profile on either direction, thus eliminating the guess work out of positioning the trim.

## INSTALLS TWO DIFFERENT WAYS

### METHOD 1: T-MOLDING

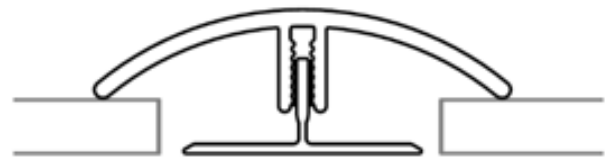
As a T-Molding, the transition is designed to accommodate the expansion gap between floors of equal heights ranging from 3–8mm.

### METHOD 2: REDUCER

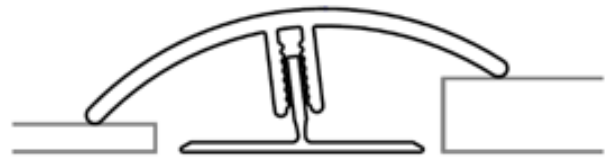
As a Reducer, the transition is designed to accommodate the expansion gap between floors of unequal height floors that have a thickness range of 3–8mm.

### SPECIFICATIONS

- Dimensions: 78.75 inches in length by 1.75 inches in width
- Core material: PVC
- Surface material: Highly wear resistant PVC
- Primary Applications: Luxury Vinyl Flooring
- Patent Pending



T-MOLDING



REDUCER

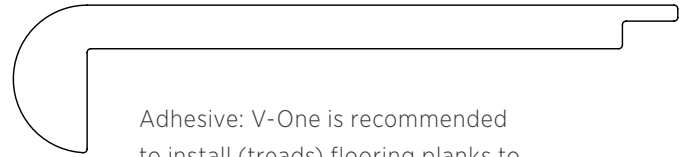
The Pergo Vinyl Flush Mount Stair Nose is a moisture proof molding that is suitable to finish stair installations of vinyl luxury flooring. It is designed for versatility and beauty. The large width of the stairnose provides a more polished finished stair tread than competitive products. The longer length will accommodate more stairs than competitive products, and can be used on bull-nosed and squared-nosed stair installations.

## INSTALLATION METHOD

The Vinyl Flush Mount Stairnose is produced with the same decor, and thickness as the floor. The Vinyl Flush Mount Stairnose incorporates the same locking system as the floor, allowing for the stairnose to lock into the floor for a seamless transition.

## TRIM DEMOGRAPHICS

- Selling Style: VFSTF
- Dimensions: 94.5" x 4.5" x 1.0"
- Core material: PVC
- Surface material: Highly wear resistant PVC
- ADA compliant
- Primary Applications: Luxury Vinyl Flooring



Adhesive: V-One is recommended to install (treads) flooring planks to primary sub-step. Polyurethane glue is recommended to install stair nose to the primary sub-step.

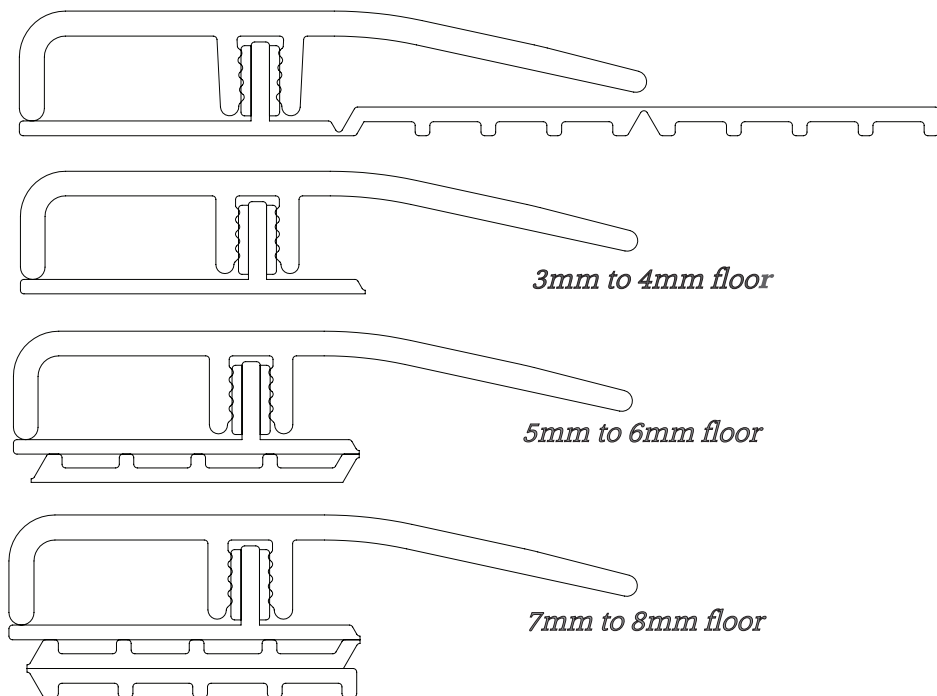
The Pergo Vinyl End Mold is a moisture resistant molding that is suitable for transitions at doorways, sliding doors, against fireplaces, and when abutting joining rooms that have floors of different heights.

## INSTALLATION METHOD

The Vinyl End Mold incorporates a universal track system with integrated shims that can be cutoff, or folded under. This allows the transition to work with vinyl floors ranging from 3mm to 8mm in height.

## SPECIFICATIONS

- Dimensions: 78.75 inches in length by 1.70 inches in width
- Core material: PVC
- Surface material: Highly wear resistant PVC
- Primary Applications: Luxury Vinyl Flooring



The Pergo Vinyl Quarter Round is a moisture proof molding that is suitable for transitioning to the wall or baseboards.

---

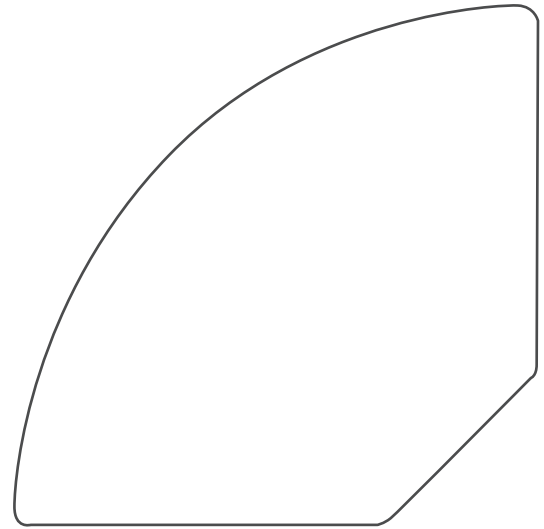
## INSTALLATION METHOD

---

The Vinyl Quarter Round can be finished nailed or glued into place.  
Do not nail or glue the vinyl Quarter Round to the flooring.

## SPECIFICATIONS

- Dimensions: 94.5" X .75"
- Core Material: PVC
- Surface Material: Highly Wear Resistant PVC
- Primary Applications: Luxury Vinyl Flooring



Give your Pergo Extreme floors a perfectly finished look with these color-coordinated solutions:

COLOR CODE	PLANK SIZE	STYLE NAME	STYLE COLOR NAME	2-IN-1	STAIRNOSE	ENDMOLD	QUARTER ROUND
474	10 X 72	WIDER LONGER	CHOCOLATE TURTLE	V2IN1-04643	VFSTF-VS079	VEND-04643	VQND-04643
574	10 X 72	WIDER LONGER	CINNAMON BRULEE	V2IN1-04644	VFSTF-VS080	VEND-04644	VQND-04644
309	10 X 72	WIDER LONGER	MOON SAIL	V2IN1-04642	VFSTF-VS078	VEND-04642	VQND-04642
577	10 X 72	WIDER LONGER	SESAME	V2IN1-04645	VFSTF-VS081	VEND-04645	VQND-04645
942	10 X 72	WIDER LONGER	SOULFUL GREY	V2IN1-04646	VFSTF-VS082	VEND-04646	VQND-04646



## PERGO WIDER LONGER COLLECTION- TECHNICAL DATA SHEET

### PHYSICAL PROPERTIES (FLOATING MULTILAYER MODULAR FLOORING) – 7.0MM GAUGE / 22MIL WEAR LAYER

Collection	Plank - Wide
Overall Gauge	7.0mm (0.276")
Wear Layer	22mil (0.59mm)
Top Layer	1.0mm (0.039") LVT
Core	5.0mm (0.197") Rigid Core
Core Density	2.0. grams / cm <sup>3</sup>
Pad	1.0mm (0.039") HDPE
Use	Light Commercial & Residential
Profile	Uniclic – Multifit
Finish	Enhanced Hard Mineral Urethane
Embossing(s)	Chocolate Turtle, Cinnamon Brulee, Moon Sail, Sesame, Souful Grey
Limited Warranty	Residential – Limited Lifetime / Commercial – Limited 10 Year
Size	10"x72" (254mm x 1829mm)
Pieces/Carton	10 pcs
Coverage/Carton	40.00 Sq Ft (3.71 Sq M)

### STANDARDS – SAFETY & PERFORMANCE

Standard	Description	Requirements	Results
ASTM F970	Static Load	≤0.002" at 250 psi	Passes Requirements
ASTM F970	Static Load Limit	Test to Limit (±0.005")	600 psi
ASTM F2199	Dimensional Stability	≤0.25% / lineal ft.	Passes Requirements
ASTM F2421	Squareness	Max 0.010" (0.25mm)	Passes Requirements
ISO 24337	Flatness	F <sub>w</sub> concave ≤0.15 % / F <sub>w</sub> convex ≤0.20 % F <sub>l</sub> concave ≤0.15 % / F <sub>l</sub> convex ≤0.20 %	Passes Requirements Passes Requirements
ISO 24337	Ledging	H <sub>avg</sub> ≤ 0.1 mm / H <sub>Max</sub> 0.15 mm	Passes Requirements
ISO 4918	Castor Wheel Test	25,000 cycles	Passes Requirements
ASTM D4060	Abrasion Resistance	Not Applicable (No Official Requirements)	100,000 cycles
ASTM F925	Chemical Resistance	No more than "Slight Change"	Passes Requirements
ASTM F1514	Resistance to Heat	Average ΔE < 8.0	Passes Requirements
ASTM F1515	Resistance to Light	Average ΔE < 8.0	Passes Requirements
ASTM E648	Critical Radiant Flux (Radiant Panel)	Class I: ≥ 0.45 W/cm <sup>1</sup>	Passes Requirements <sup>1</sup>
ASTM E662	Smoke Density	≤ 450 Flaming & Non-Flaming <sup>2</sup>	Passes Requirements <sup>2</sup>
ASTM D2047	Coefficient of Friction (Slip Resistance)	Not Applicable (No Official Requirements)	≥ 0.6 (Dry, Wet)
AATCC 134	Electrostatic Propensity	Not Applicable (No Official Requirements)	≤ 2.5 kV Max Avg
ASTM F963	Heavy Metals	Refer to Standard	Passes Requirements
ASTM D7823	Phthalates	Refer to CPSIA <sup>3</sup>	Passes Requirements

### STANDARDS – SOUND

Assembly	ASTM E90	ASTM E492	Results (Remarks)
6" Concrete Slab	STC 51	IIC 50	All tested assemblies pass IBC <sup>4</sup> requirements of STC ≥ 50 and IIC ≥ 50 for multi-story dwellings
8" Concrete Slab	STC 53	IIC 56	
6" Concrete Slab with Drop-Ceiling	STC 60	IIC 64	
8" Concrete Slab with HPPC <sup>5</sup>	STC 63	IIC 73	

#### Notes

- 1) ASTM E648 - Critical Radiant Flux (Radiant Panel): Passes Requirements for Class I per International Building Code (IBC) 2018 & NFPA 101 Life Safety Code
- 2) ASTM E662 - Smoke Density: 450 is the limit established by many state, county, and/or local building and/or fire codes, but is not set as a limit for (resilient) flooring products nationwide. Thus, Smoke Density requirements for flooring products may vary from jurisdiction to jurisdiction.
- 3) CPSIA = Consumer Product Safety Improvement Act
- 4) IBC = International Building Code
- 5) HPPC = High performance partition construction

Effective: April 6, 2020