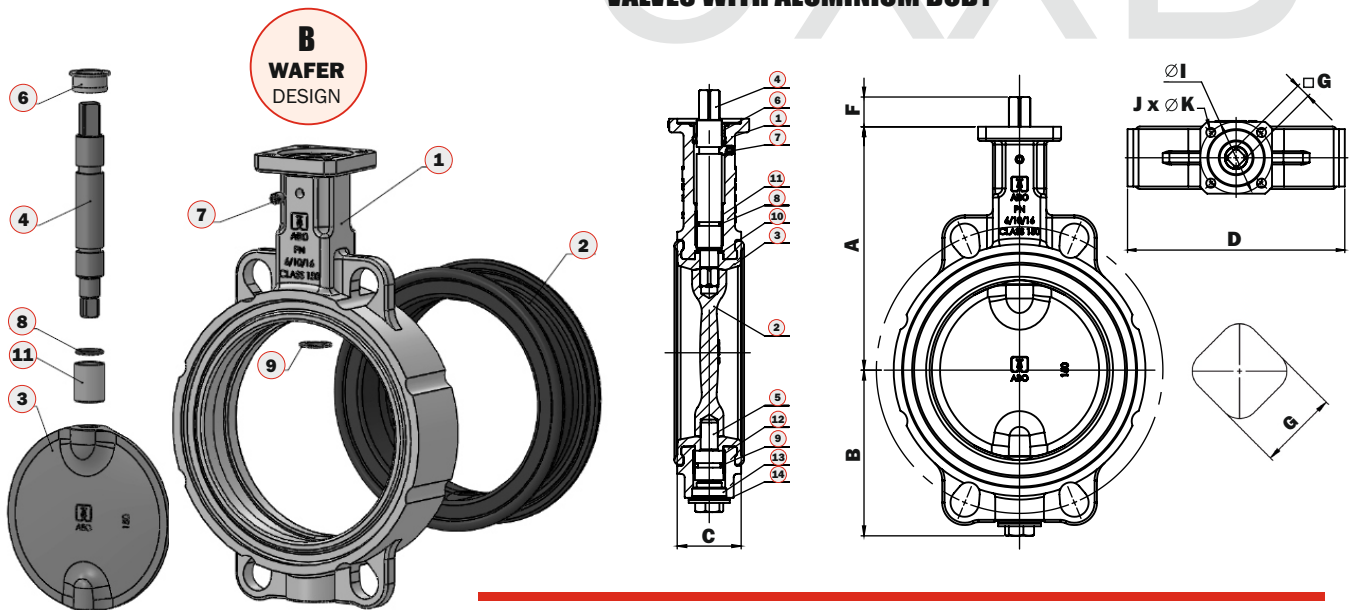


ABO valve

we make processes work



| Pos. | Name | Material |
|------|-----------|--------------------------------|
| 1 | Body | Aluminium 3.2381 (EN AC 43000) |
| 2 | Seat | EPDM/NBR |
| 3 | Disc | Stainless steel 1.4408 (CF8M) |
| 4 | Stem | Stainless steel 1.4021 |
| 5 | Pivot | Stainless steel 1.4021 |
| 6 | Bushing | DELTRIN |
| 7 | Set screw | Stainless steel 1.4404 |
| 8 | O-ring | EPDM |
| 9 | Washer | Stainless steel 1.4301 |
| 10 | O-ring | EPDM |
| 11 | Bushing | IGUS |
| 12 | Plug | Stainless steel 1.4404 |
| 13 | Sealing | Copper / Klingersil |
| 14 | Bushing | IGUS |

General features

- Concentric design
- Soft seat
- Wafer type with split stem
- Bidirectional
- Body with safety plug
- Operated manually or by actuator
- Anti Blow out proof stem
- Demountable
- Light weight for easy installation / does not overload the piping
- Great resistance to corrosive environment
- **Working media**
 - Supply water
 - Potable water
- **Applications**
 - Purification, treatment and distribution of potable or supply water
 - **Swimming pools** (plastic pipelines)
 - **Food industry**

Basic information

Flange connection
PN6/PN/10/PN16/Class 150

Body material
Aluminium 3.2381 (EN AC 43000)

Shaft/pivot material
Stainless steel 1.4021 (AISI 420)

Disc material
Stainless steel 1.4408 (CF8M)
Ductile iron 0.7040 (GGG40)

Pressure rating
DN32/40-DN200: 16 bar max.
DN250-DN300: 10 bar max.
DN350-DN400: 6 bar max.

Temperature rating
- 40 °C / +150 °C

Hydraulic test
Class A

Valve body is provided without coating as a standard. It is possible to have epoxy coating 120 µm or epoxy coating suitable for food and beverage industry (FDA approved).

Standards

Leak test
EN 12266-1, Class A
ISO 5208, Class A
API 598, Table 5
ANSI/FCI 70-2, Class VI

Face to face length
EN 558 Series 20
ISO 5752 Series 20

Flange connection
EN 1092-1+A1, 2
ASME B16.5
ASME B16.47

Top flange
ISO 5211

Working standard
EN 593
EN 1074-1,2

DIMENSIONS & Technical information

| | DN | Valve dimensions | | | | | | | | | | | |
|---------------------|-------------|------------------|------|-------|------|-------|-------|-------|-----|------|------|------|------|
| | | 32/40 | 50 | 65 | 80 | 100 | 125 | 150 | 200 | 250 | 300 | 350 | 400 |
| Valve dimensions | A | 136 | 146 | 153,5 | 163 | 172,5 | 192,5 | 205 | 234 | 270 | 310 | 325 | 365 |
| | B | 58,5 | 69 | 77 | 91 | 106 | 126,5 | 139,5 | 166 | 214 | 249 | 284 | 327 |
| | C | 33 | 43 | 46 | 46 | 52 | 56 | 56 | 60 | 68 | 78 | 78 | 102 |
| Endshaft dimensions | F | 25 | 25 | 25 | 25 | 25 | 25 | 25 | 25 | 30 | 30 | 36 | 36 |
| | G | 14 | 14 | 14 | 14 | 14 | 14 | 14 | 17 | 22 | 22 | 27 | 27 |
| | I | 50 | 50 | 50 | 50 | 70 | 70 | 70 | 70 | 102 | 102 | 125 | 140 |
| ISO Top flange | J | 3 | 4 | 4 | 4 | 4 | 4 | 4 | 4 | 4 | 4 | 4 | 4 |
| | K | 9 | 7 | 7 | 7 | 9 | 9 | 9 | 9 | 11 | 11 | 14 | 18 |
| | Weight (kg) | Ver. B | 0,87 | 1,23 | 1,46 | 1,72 | 2,47 | 3,80 | 4,8 | 7,65 | 13,6 | 21,6 | 30,8 |
| ISO Flange | | F05/07 | F05 | F05 | F05 | F07 | F07 | F07 | F07 | F10 | F10 | F12 | F14 |

Installation between flanges DN32 to DN400 - Wafer design (B)

| DN | 32/40 | 50 | 65 | 80 | 100 | 125 | 150 | 200 | 250 | 300 | 350 | 400 |
|-----------|-------|----|----|----|-----|-----|-----|-----|-----|-----|-----|-----|
| PN6 | | | | | | | | | | | • | • |
| PN10 | | | | | | | | | | | | |
| PN16 | | | | | | | | | | | | |
| Class 150 | | | | | | | | | | | • | • |

Valves with nominal size up to DN150 can be delivered with aluminium handlever.

standard • on request

ABO valve, s.r.o.

Dalimilova 285/54, 783 35 Olomouc, Czech Republic



Phone: +420 585 224 087
Fax: +420 585 225 976
E-mail: export@abovalve.com
www.abovalve.com



The technical information described in this leaflet is teantive and for general use only and does not constitute a recommendation or guarantee for any specific service or application requirement. Please consult ABO representatives or factory for specific requirements and material selection for your intended application. The right to change or modify product design or product without prior notice is reserved. ABO valve accepts no liability for damages caused by bad interpretation or use of the information included in this leaflet.