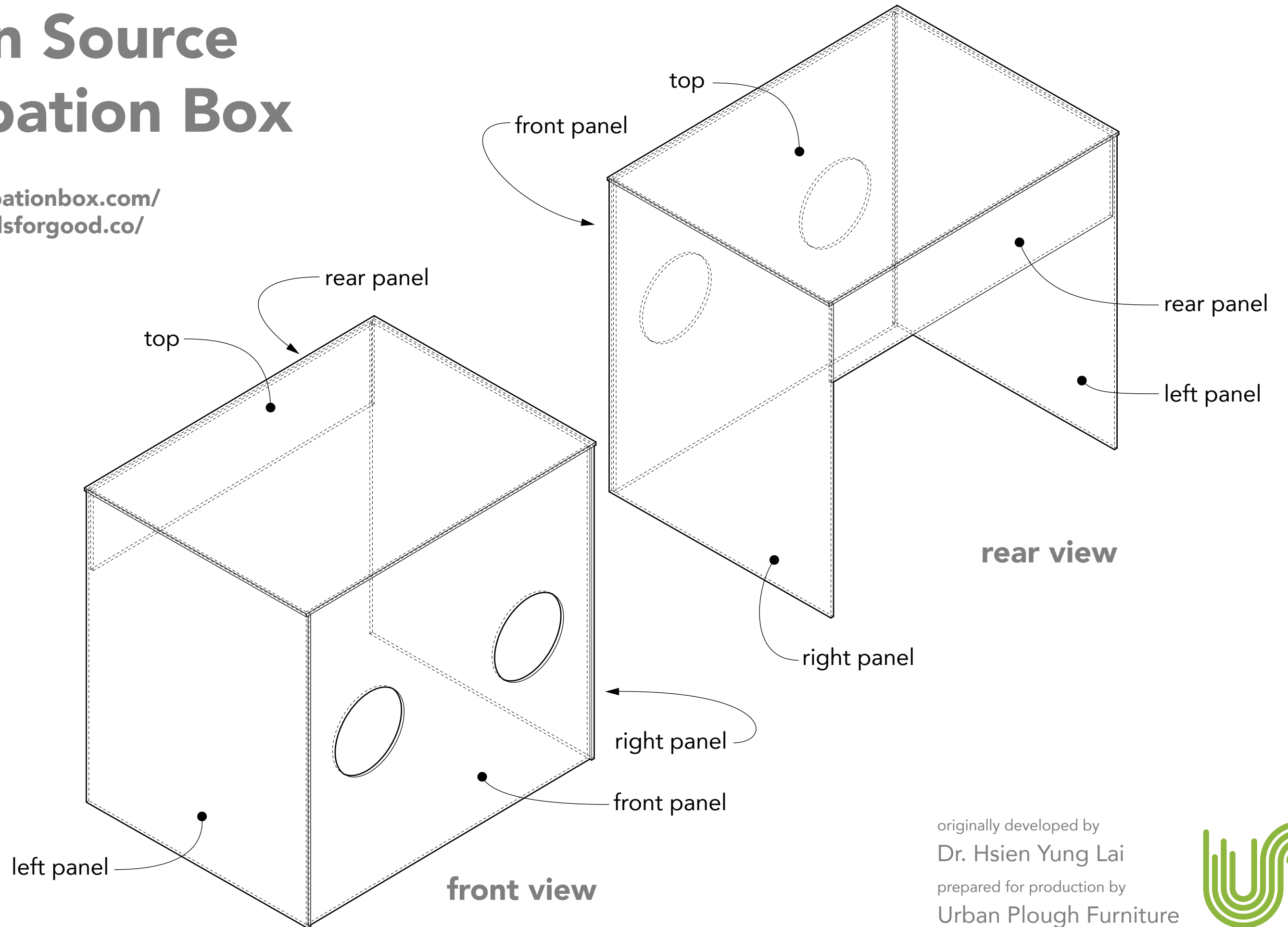


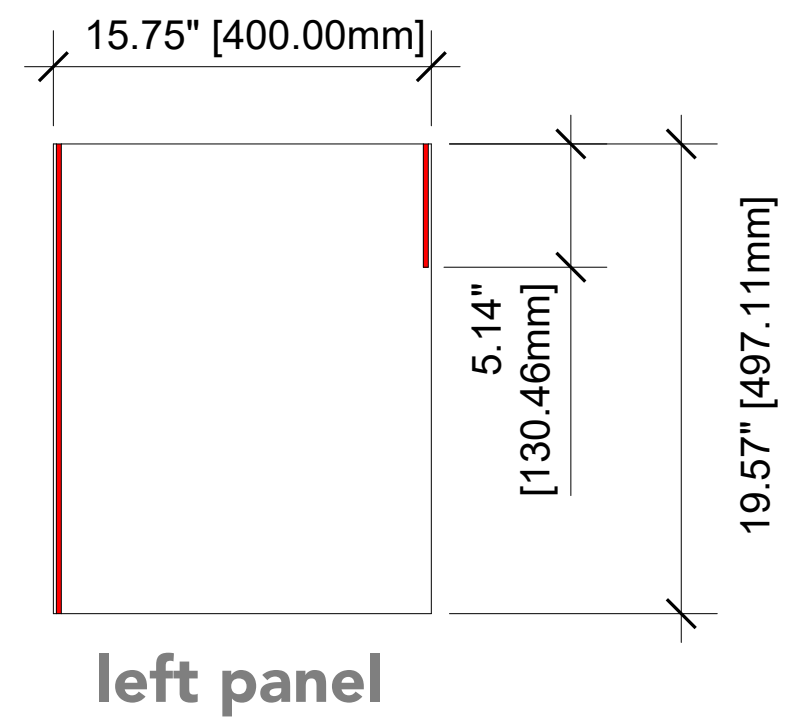
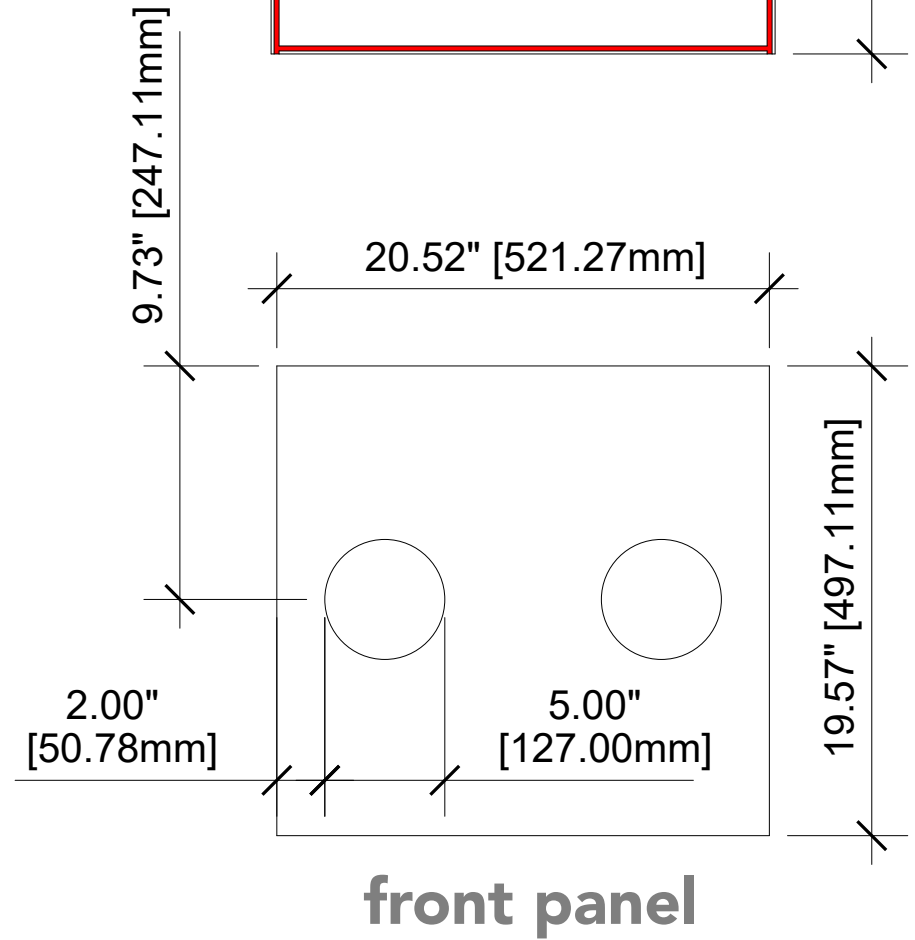
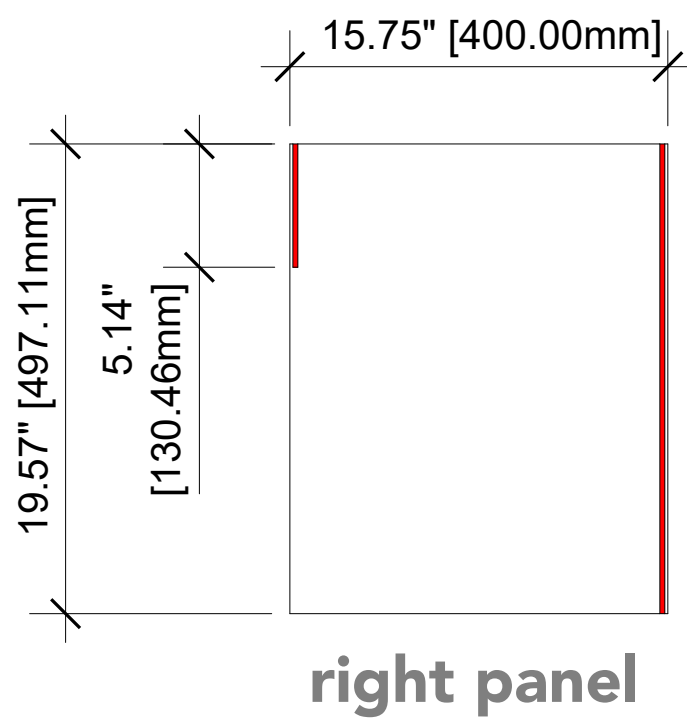
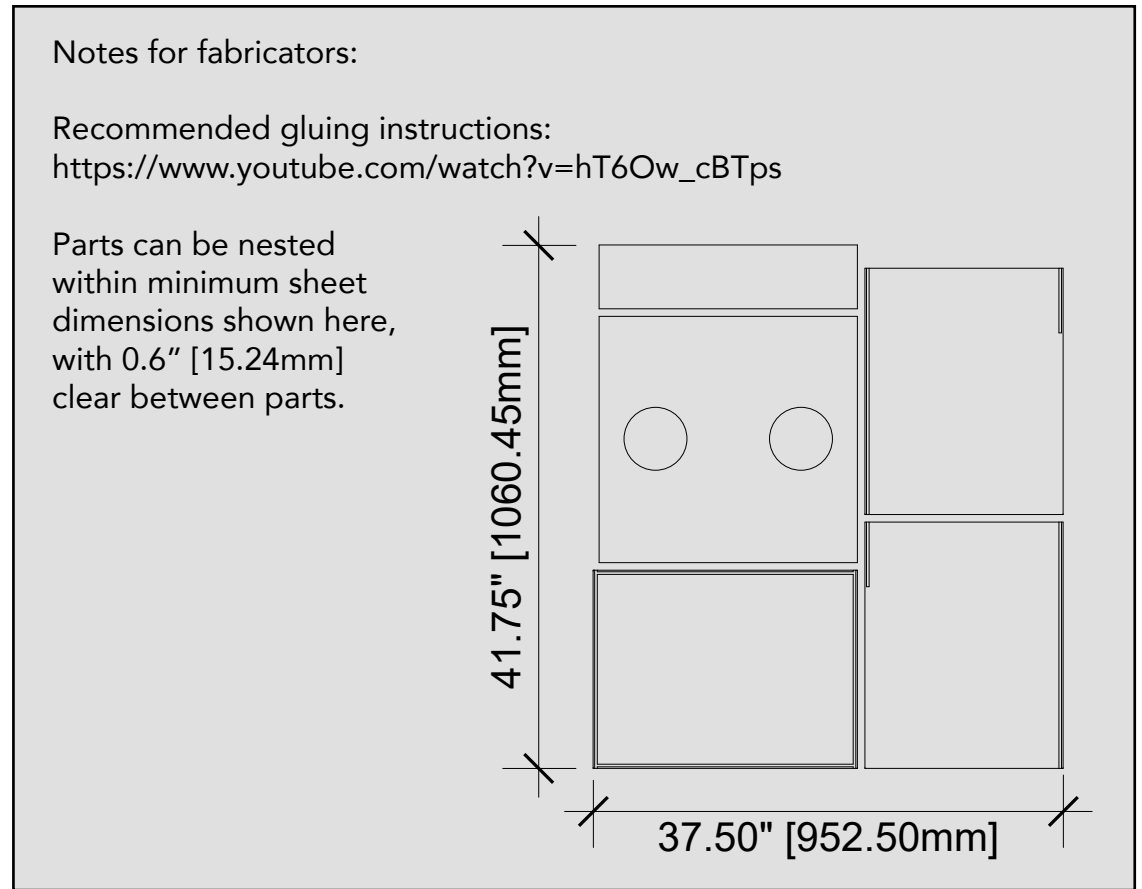
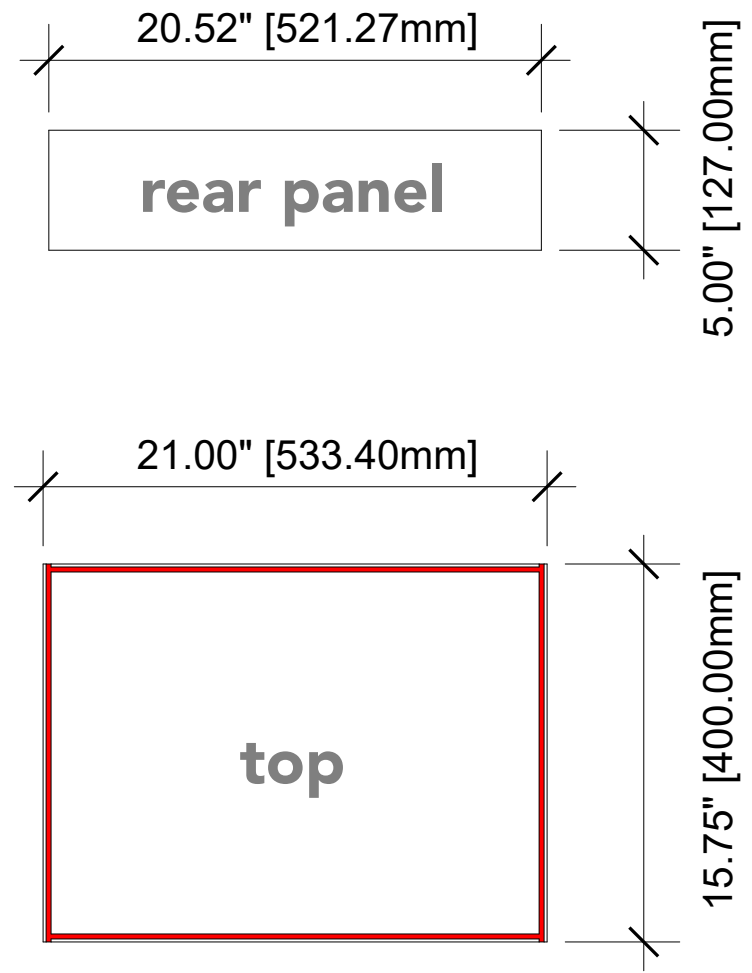
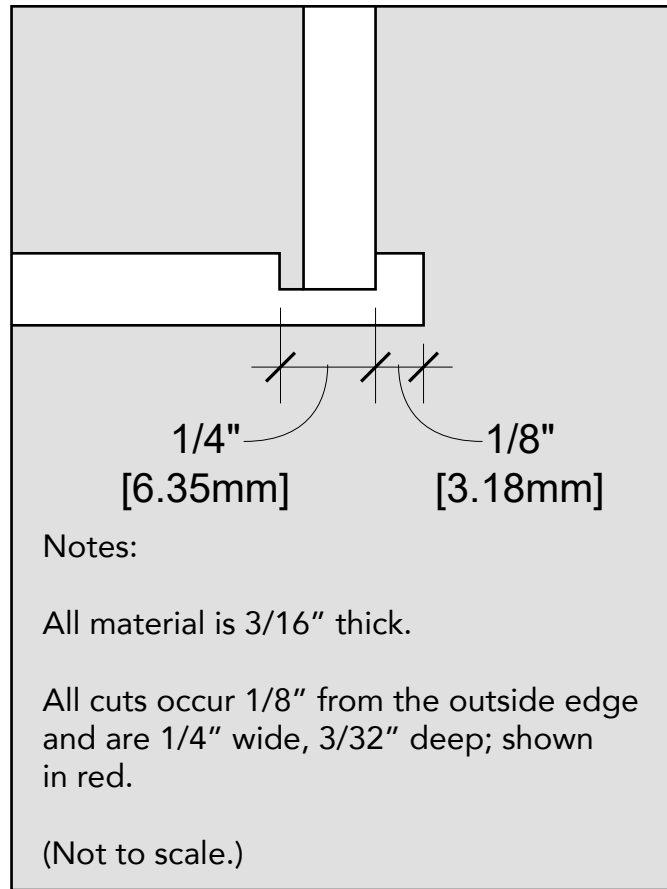
Open Source Intubation Box

<https://intubationbox.com/>
<https://goodsforgood.co/>



originally developed by
Dr. Hsien Yung Lai
prepared for production by
Urban Plough Furniture





Materials

3/16" x 4' x 8' acrylic

Weld-On 4 Acrylic Adhesive

Instructions

1. Wear nitrile gloves. And keep a square handy.
2. Start with the left or right panel, laying it on a flat clean surface.
3. Take a rear panel and hold it upright in its position.
4. Make sure you are seated flush in your dado, against the shoulder, as well as with the top edge of your dado. Where the top will cap the unit should be flush. While piece is held square in place, apply solvent to the inside of the dado carefully as shown in the instructional video. Hold/check square with equal downward pressure for 60 seconds. At this point, your panel is bonded enough to move on to another piece.
5. Position the front panel in it's dado, with arm holes (which are off center) closer to the top of the unit. Repeat step 4.
6. Repeat steps 2-5 for the second unit before adhering the other side panel. This gives the rear and front panels proper bonding time before inverting.
7. Once first and second units are at equal assembly with one side, and the rear and front panels are bonded, lay the other side panel and place it so you can carefully lift, invert and place bonded pieces into its corresponding dados. Repeat step 4 and do the same for the second unit.
8. Come back to the first unit. Take a top piece and lay flat in front of you.
9. Carefully, pick up the rest of the assembly by placing hands on left and right panels, and focusing pressure where your rear and front panels support the unit. Lift and place into dados in your top piece. Focus on 1 to 2 dados at a time, and repeat step 4.
10. Repeat step 9 for your second unit and you'll have two complete intubation cubes.

Note curing times and handle with care while moving before fully cured.

