

Freestanding — Protective Screens

The Muraflex Protective Screens are freestanding and require no installation. Made of plexiglass, the screens are lightweight and easily moveable.

Floor Protective Screen

Description

Freestanding Floor Protective Screen

Dimensions

Acrylic Panel: D1/8"

Maximum width (assembled): 48"

Maximum height (assembled): 96-1/8"

Maximum depth: 24"

Finish

Anodized Clear Aluminum

Lead Times

5-7 business days

Cost

410.00USD

*Transport not included

*Taxes not included

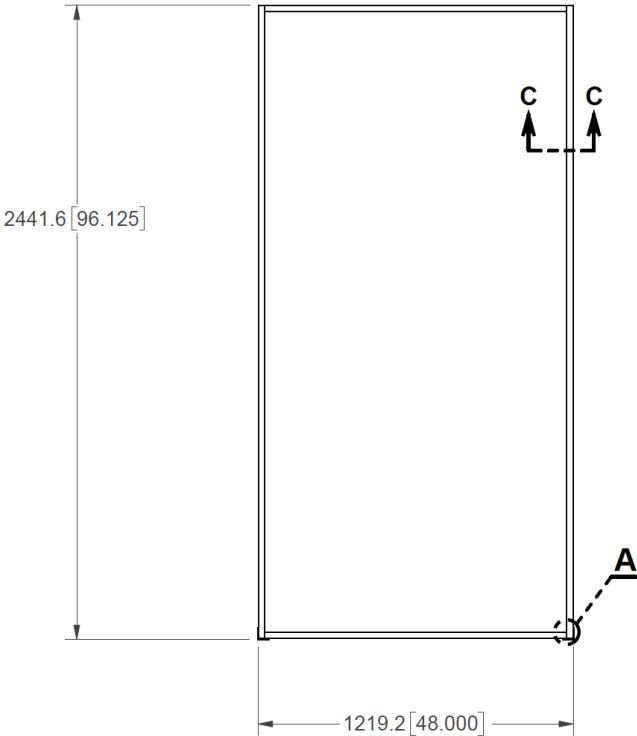


Clear Anodized Aluminum Finish

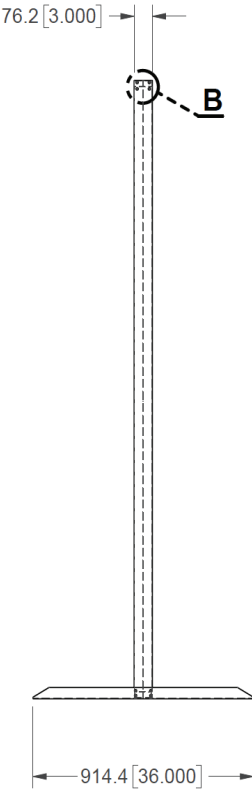
*Image may not accurately reflect actual finish



Freestanding Protective Screens



View 1. Elevation



View 2. Section