

CR462RX | Remix Rubber Track Paver

Tractor

- All-welded mainframe construction
- Smartrac self-tensioning track system
- Wide stance improves maneuverability
- Crawler-mounted three-point suspension
- Oscillating bogie wheel assemblies
- Independent hydrostatic drive for each track
- Replaceable, 18 in (457 mm) wide rubber track
- Adjustable spreading auger height via frame raise
- Oscillating push rollers or truck hitch
- Power-tilt hood with integral radiator
- Fume recovery system mitigates fumes
- Adjustable material retaining plates
- Operator's umbrella

Screed

- Screed assist (Stretch 20®)
- One-piece hardened steel screed plate
- Hydraulically adjustable screed vibrators
- Electric heat or oil heaters
- Manual and hydraulic power mat depth control
- Hydraulic power crown control
- Power match height adjustment (Stretch 20® and VersaScreed 10)
- Vertically adjustable screed end gates
- Hydraulic screed lift with mechanical screed lock

Feed System

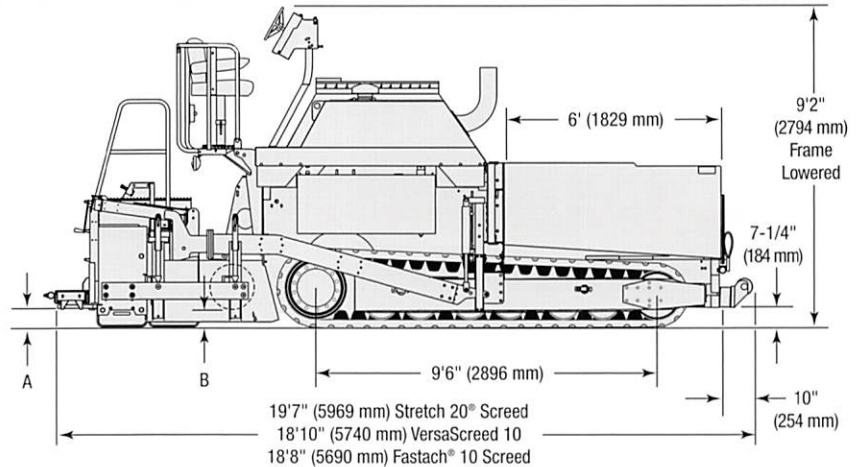
- Reinforced, sealed, tilting hopper wings with beveled corners
- Twin counter-rotating variable pitch Remix augers with one-piece shafts
- Independently controlled right & left feed systems
- Independently controlled delivery & spreading augers
- System interlocks stop feed when paver stops

Controls

- Operator swing console with spring loaded center lock and variable position cam lock
- Full instrumentation gauges
- De-tracking warning light
- Electric-over-hydraulic propel control steering wheel with dial-in working speed
- Lockout/tagout capable E-stop and master electrical switch

Hydraulic System

- Engine-mounted, enclosed, Poly Chain® belt pump drive
- Variable-displacement pumps for tractor drives, right and left feed systems and auxiliary circuits
- Fixed-displacement pump for vibrator circuit with flow control valve for frequency adjustment
- Centralized filter locations
- Remote control solenoids with function-check LED
- Rear gearbox Remix auger drive



| | A | B |
|---------------|--------------------|------------------|
| Frame Raised | 13 1/4 in (336 mm) | 9 in (228 mm) |
| Frame Lowered | 7 3/4 in (197 mm) | 3 3/4 in (95 mm) |

Paver

| | |
|--------------------|-----------------------|
| Paver width | 10 ft 4 in (3.15 m) |
| Paving width (std) | 10 ft (3.05 m) |
| Paving width (max) | 28 ft (8.5 m) |
| Paving depth (max) | 12 in (305 mm) |
| Paving speed (max) | 175 ft/min (53 m/min) |
| Travel speed (max) | 9.6 mph (15.4 km/hr) |
| Brakes | multiple disc parking |

Weight*

| | |
|---------------------|------------------------|
| Tractor | 36,500 lbs (16,556 kg) |
| with Stretch 20® | 44,400 lbs (20,140 kg) |
| with VersaScreed 10 | 42,500 lbs (19,278 kg) |
| with Fastach® 10 | 40,500 lbs (18,371 kg) |

*Weights are based on average shipping weights.

Engine

| | |
|------------|----------------------------|
| Make/Model | Cummins QSB6.7 |
| Type | Tier 3 turbocharged diesel |
| Horsepower | 220 hp (164 kW) @ 2200 rpm |
| Electrical | 130 amp, 12 vdc |

Capacities

| | |
|----------------|----------------|
| Diesel fuel | 82 gal (310 L) |
| Hydraulic oil | 75 gal (284 L) |
| Cooling system | 6.5 gal (25 L) |

Hopper

| | |
|--------------------------|------------------------------------|
| Length and width | 6 ft x 10 ft 4 in (1829 x 3150 mm) |
| Volume | 219 ft³ (6.2 m³) |
| Capacity | 14 tons (12.7 tonnes) |
| Feed tunnel width (each) | 30 in (762 mm) |
| Remix augers (diameter) | 10 in (254 mm) |
| Auger thickness | 5/8 in (16 mm) |
| Trough liner thickness | 3/8 in (9.5 mm) |

Spreading Auger Sections

| | |
|--------------|------------------|
| Construction | Cast, high alloy |
| Diameter | 16 in (406 mm) |
| Thickness | 5/8 in (16 mm) |

Screed

| | |
|--|------------------|
| Screed plate thickness | 1/2 in (12.7 mm) |
| Positive crown (hydraulically powered) | 3 in (76 mm) |
| Negative crown (hydraulically powered) | 1 in (25 mm) |
| Vibrations per minute (max) | 3000 |

Heaters

| | |
|--------------------------------|-------------------------|
| Stretch 20® (electric heat) | 34 kW generator |
| Stretch 20® (four oil heaters) | 274,000 btu (total) |
| | 2.0 gph (7.6 liters/hr) |
| VersaScreed 10 (electric heat) | 34 kW generator |
| Fastach® 10 (electric heat) | 34 kW generator |
| Fastach® 10 (two oil heaters) | 178,000 btu (total) |
| | 1.3 gph (4.9 liters/hr) |

Optional Equipment

- Stretch 20® screed with electric or oil heat
- VersaScreed 10 with electric heat
- Fastach® 10 screed with electric or oil heat
- Generation 3 proportional or sonic material feed control
- Mechanical or sonic grade and slope control
- Multi-foot grade reference system
- Sonic averaging systems
- Material feed package
- Bevel guide plates
- Cutoff shoes, 12 in (305 mm) and 24 in (610 mm) sections
- 30 ft (9144 mm) hose reel for spray-down
- Back-up alarm
- Additional umbrella
- 500 hour filter kit

Cedarapids, Inc.
909 17th Street NE
Cedar Rapids, IA 52402

Terex® Cedarapids • 1-888-TEREXRB • www.terexrb.com



TEREX®
Roadbuilding