

NP15 Series



Highlights

- Wide Temperature range : -30°C ~ 1600°C
- Superior Optical resolution up to 300:1
- Spot sizes down to 1mm
- 5 ms response time
- Dual laser sighting
- Visual and acoustic HIGH and LOW alarm
- 4 digit backlit LCD display
- TCK input
- STonline Software

General Specifications

| | |
|---------------------|--|
| Ambient Temperature | 0°C to 50°C |
| Storage Temperature | -20 °C to 60°C Without battery |
| Relative Humidity | 10 to 95% non-condensing @ up to 30°C |
| Dimensions | 163.5(L) x 207(H) x 70(W) mm |
| Weight | 470g (battery included) |
| Tripod Mounting | 1/4 – 20 UNC |

Electrical Specifications

| | |
|-------------------|------------------------------------|
| Digital Output | USB |
| Input | Thermocouple Type K :-40°C ~ 760°C |
| Data logger | 2,000 points |
| Laser | IEC Class2/FDA Class II (<1mW) |
| Display | 4 digit backlit LCD display |
| Power Supply | 9V alkaline battery |
| Battery life time | 10 hours (laser and backlight on) |

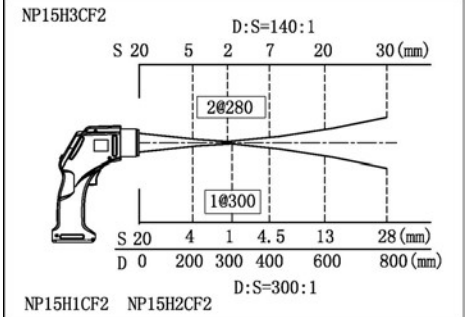
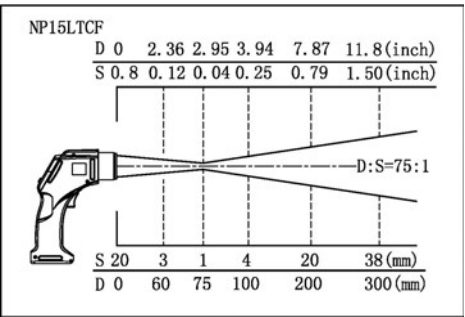
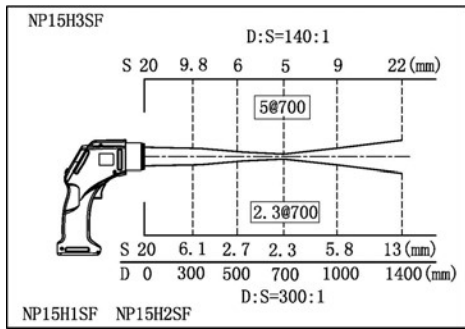
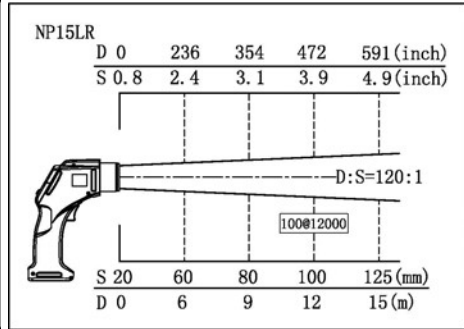
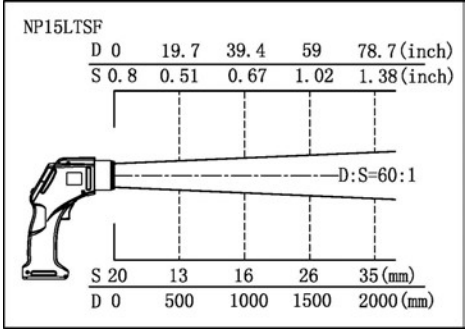
Measurement Specifications

| | |
|--------------------------------|--|
| Temperature Range | (Low Temperature) LT: -30°C ~ 900°C (-22°F to 1652°F) (Long Range) LR: -30°C ~ 1300°C (-22°F to 2372°F) (High Metal Temp) H1: 600°C ~ 1600°C (1112°F to 2912°F) (High Metal Temp) H2: 300°C ~ 1300°C (572°F to 2372°F) (Shiny Metal Surface) H3: 100°C ~ 600°C (212°F to 1112°F) |
| Spectral Response | LT: 8 ~ 14µm LR: 8 ~ 14µm H1: 1µm H2: 1.6µm H3: 2.3µm |
| Optics Resolution (90% energy) | LT, 60 : 1 (SF), 75 : 1 (CF) LR, 120 : 1 H1, 300 : 1 H2, 300 : 1 H3, 140 : 1 |
| Accuracy*1 | LT/LR: ±1% of reading or ±1°C, whichever is greater H1/H2/H3: ±(0.5% of reading +2°C), whichever is greater |
| Repeatability*1 | LT/LR: ±0.5% of reading or ±0.5°C, whichever is greater H1/H2/H3: ±(0.3% of reading +1°C), whichever is greater |
| Temperature Resolution | 0.1°C, (1°C above 1000°C) |
| Response Time (95% signal) | LT/LR: 300 ms H1/H2/H3: 5 ms |
| Emissivity (adjustable) | 0.10 ~ 1.00, in 0.01 increments |
| Signal processing | peak hold, valley hold or averaging |

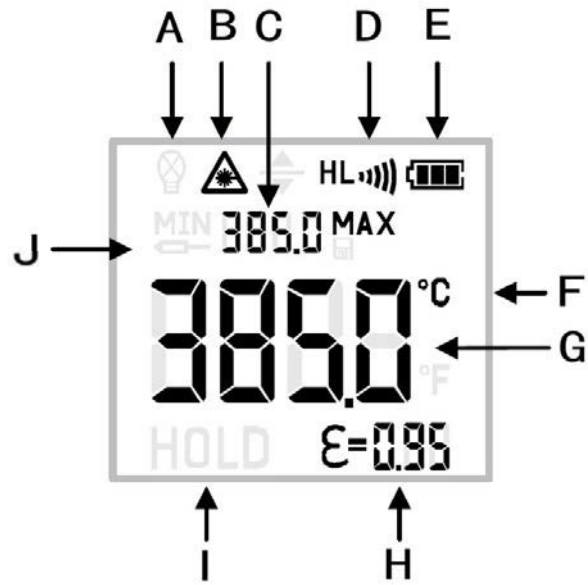
*1 At 23°C ± 5°C, emissivity LT/LR = 0.95, H1/H2/H3 = 1.00



Optical Specifications



Control Panel



- A: LCD backlight
- B: Laser
- C: Max/Min
- D: High/Low alarm
- E: Battery symbol
- F: °C/°F unit
- G: IR temperature
- H: Emissivity
- I: Hold mode
- J: TCK temperature