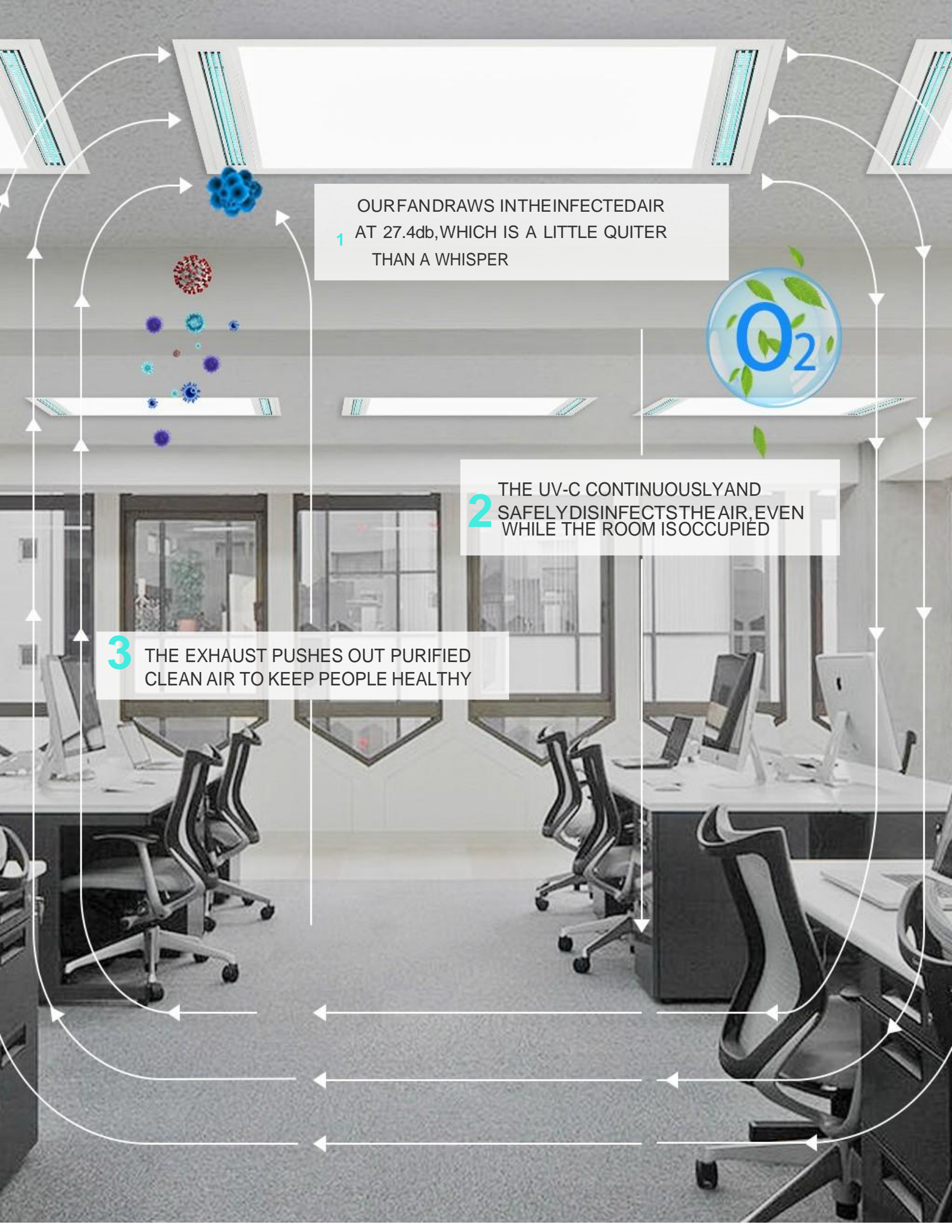


# UVVENTX



# KILLS CORONAVIRUS

KILLS AIRBORNE BACTERIA, VIRUSES AND MULTIDRUG RESISTANT  
GERMS



OUR FAN DRAWS IN THE INFECTED AIR  
1 AT 27.4db, WHICH IS A LITTLE QUIETER  
THAN A WHISPER

2 THE UV-C CONTINUOUSLY AND  
SAFELY DISINFECTS THE AIR, EVEN  
WHILE THE ROOM IS OCCUPIED

3 THE EXHAUST PUSHES OUT PURIFIED  
CLEAN AIR TO KEEP PEOPLE HEALTHY

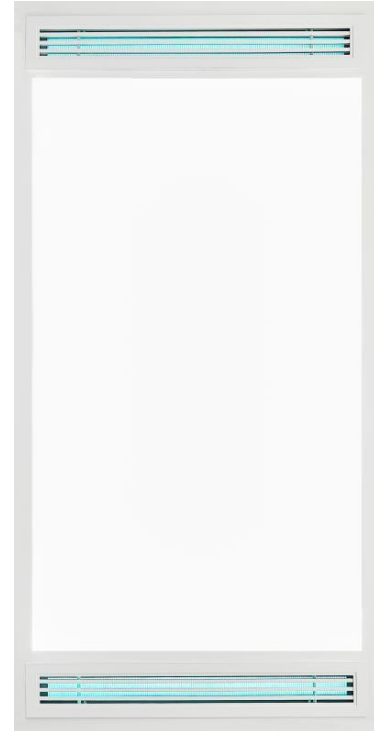
### KILLS CORONAVIRUS

- Ozone free
- Disinfect a room in less than 25 minutes
- Safe to use while room is occupied
- 99.9% Kill rate of bacteria / viruses
- Eradicate MDRO's 24/7/365

### BASE APPLICATIONS

The 101 UV-C & Light Panel can be used in 90% of all locations to help keep people safe from life threatening viruses and bacteria.

- Municipalities
- Universities
- Schools / Daycares
- Hospitals
- Senior Assisted Living Facilities / Senior Centers
- Residential / Commercial / Industrial Offices
- Retail / Outlet Stores
- Fitness / Well Being Facilities



### FOUR (4) CRITICAL MEASUREMENTS

There are four key factors to determine effective UV-C Lighting disinfection of airborne pathogens.

#### 1. EXPOSURE TIME

The 101 UV-C & Light Panel only requires 0.52 seconds of exposure to damage bacteria and viruses DNA / RNA. Once the DNA / RNA is damaged the pathogen no longer has the ability to replicate, thus rendering it sterile.

#### 3. UVC WAVE LENGTH

Our fixtures generate UV-C at 253.7nm which is the optimal UV-C wave length to sterilize bacteria or viruses according to 99% of publicly available studies.

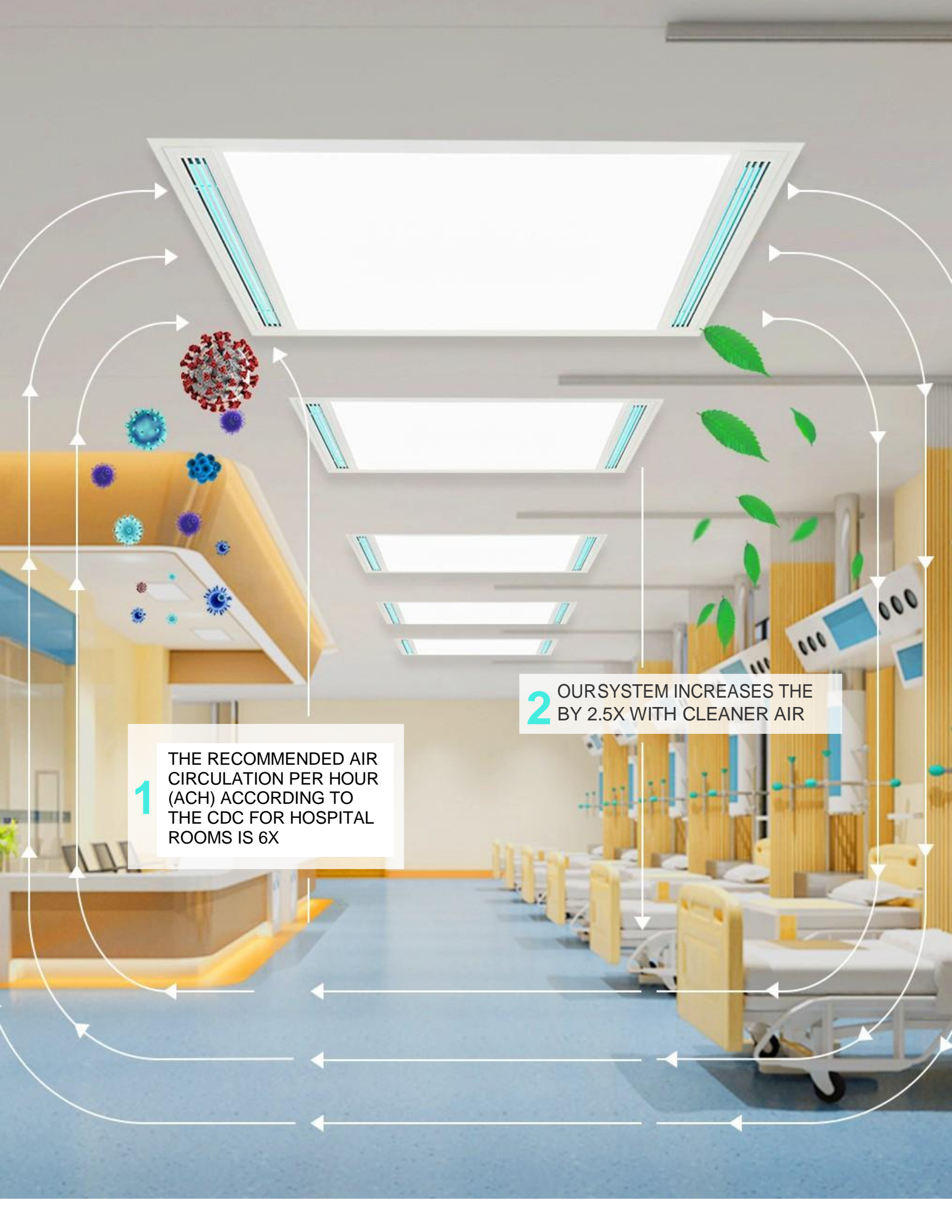
#### 2. JOULE INTENSITY

CDC studies have shown since the 1970's that 10.6 mJ/ cm<sup>2</sup> is required to kill coronavirus. The most basic UVENTX model currently available generates 13355.52 mJ/cm<sup>2</sup>, which is more than 30x CDC studies.

#### 4. AIR CHANGES PER HOUR (ACH)

Rooms require constant circulation of clean air to keep human beings healthy and the CDC recommends at least 2 air changes per hour. Our 101 UV-C & Light Panel at minimal recommendations circulate the room air 2.5x per hour and surpass the CDC recommendation by at least 20%.

**IMPORTANT:** For your own safety always be skeptical. Verify any and all claims by any manufacturer or brand making any sort of claim. Go to your favorite internet browser and search for the answers online and from official government websites. UVENTX cannot kill false claims but it can disinfect pathogens such as Coronavirus. You are your best guardian.



1

THE RECOMMENDED AIR CIRCULATION PER HOUR (ACH) ACCORDING TO THE CDC FOR HOSPITAL ROOMS IS 6X

2

OUR SYSTEM INCREASES THE BY 2.5X WITH CLEANER AIR

# LIGHTING SPECIFICATIONS

FIXTURE		UV-C		
SKU	UE28	58020	58021	58022
Wattage	40W	41W	82W	123W
Efficiency	125lm/W	16W(Output)	32W(Output)	48W(Output)
Lumens / Intensity	5000 lm	6677.76μW/cm2	13355.52μW/cm2	20033.28μW/cm2
Power Factor	≥0.9		N/A	
Voltage	AC 120-277V		Ballast AC 120-277V	
Frequency	50/60Hz		253.7nm @35%	
Lamp Current	Max.400mA	410mA	820mA	1.23A
Led Frequency	≥120Hz		N/A	
THD	≤20%		N/A	
Ripple Current	≤5%		N/A	
Ra	≥80		N/A	
R9	≥0		N/A	
SDCM	≤6		N/A	
Duv	≤0.006		N/A	
Beam Angle	110°		N/A	
Dimmable	1-10V		N/A	
Housing	Aluminum		Glass	
Optical Lens	Polycarbonate		Quartz	
Operating Temperature	77°F		40°F ~ 104°F	
Storage Temperature	-40°F ~ 185°F		-40°F ~ 185°F	
IP Rating	IP20		IP20	
Environment	Indoor		Indoor	
L70 Life (Hours)	≥50,000		≥12,000	
L90 Life (Hours)	≥36,000		≥8,000	
Warranty	5 Years		1 Years	
Certification	UL, DLC, RoHS, FCC, CE, FDA (Pending)		UL, RoHS, FCC, EPA	



**UL (Unordered List):** Product safety certification



**DLC (Design Lights Consort):** Product energy efficiency, lighting quality and performance



**RoHS (Restriction of Hazardous Substances):** Detection of toxic and harmful substances in products  
**FCC (Federal Communications Commission):**



Electromagnetic compatibility, security of wired communication products



**CE (European Conformity):** Product Safety Certification



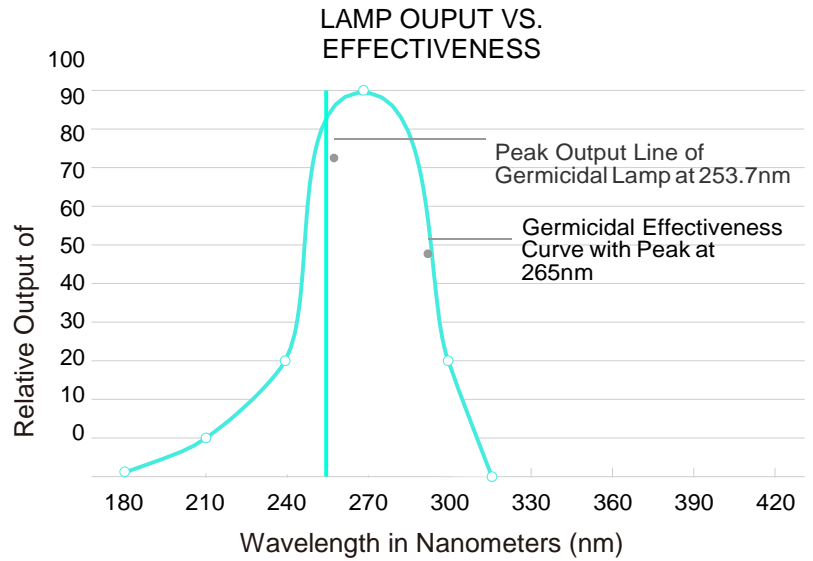
**FDA (Food and Drug Administration):** Testing of the impact of ionic and Nonionic radiation on human health and safety during the use of products



EPA registration (**U.S Environmental Protection Agency**): Protect human health and natural environment

## WAVELENGTH

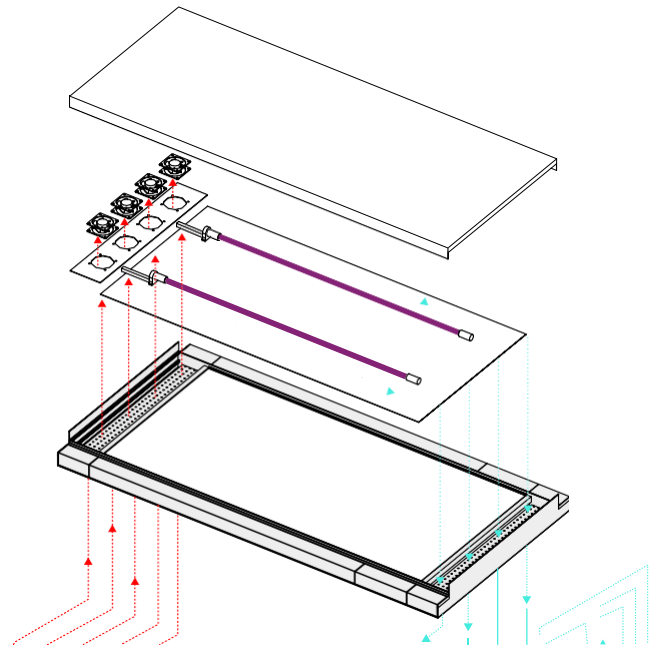
Low-pressure, mercury-arc germicidal lamps are specially designed to produce the highest amounts of UV radiation where 90% of energy is typically generated at 253.7nm. This radiation is very close to the peak of the germicidal effectiveness curve of 265nm, the most lethal wavelength to microorganisms.



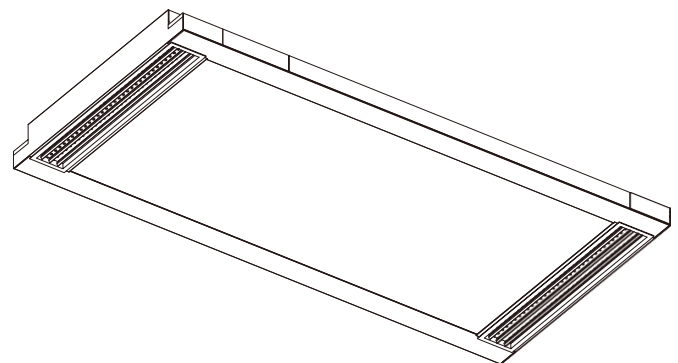
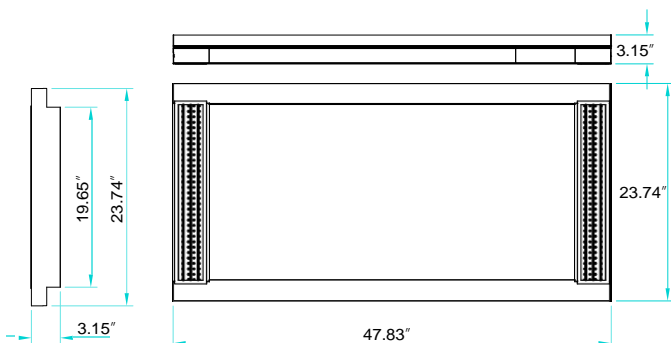
## WORKING PRINCIPLE

The air is drawn into a shielded air disinfection chamber where the UV-C germicidal bulbs then bombard the air with 254nm at over 12,000nJ/cm<sup>2</sup>/s for 0.52s and thus inactivating harmful pathogens.

Note: The illustration is for reference purposes only and does not represent the full design of the product.

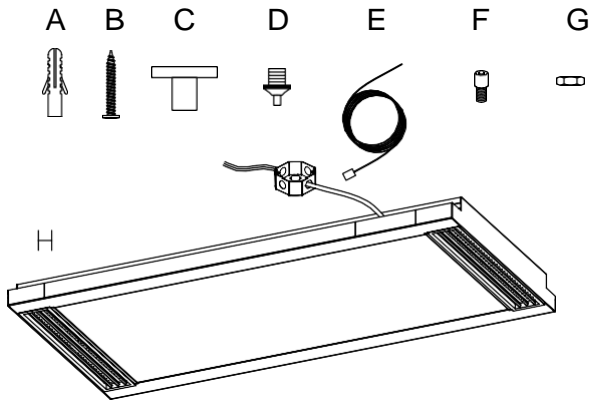


## DIMENSIONS

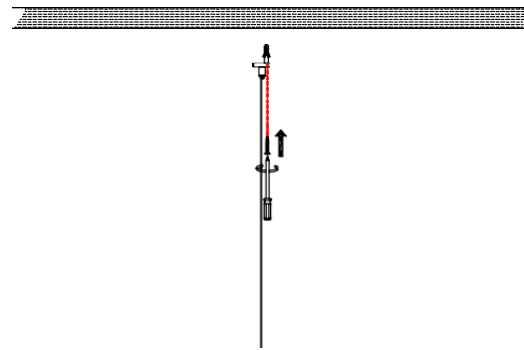


# INSTALLATION INSTRUCTIONS

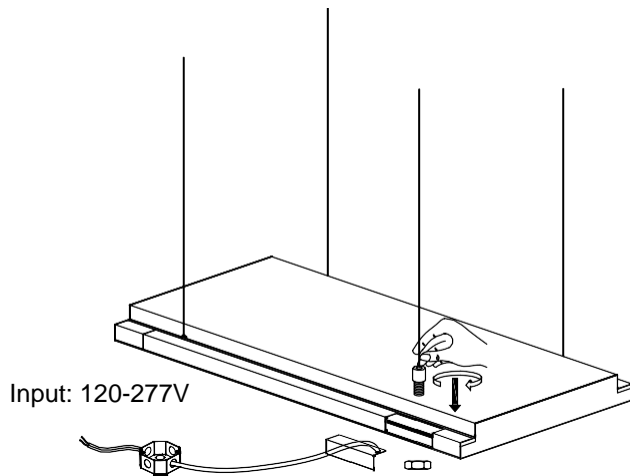
1. Make sure these accessories are complete.



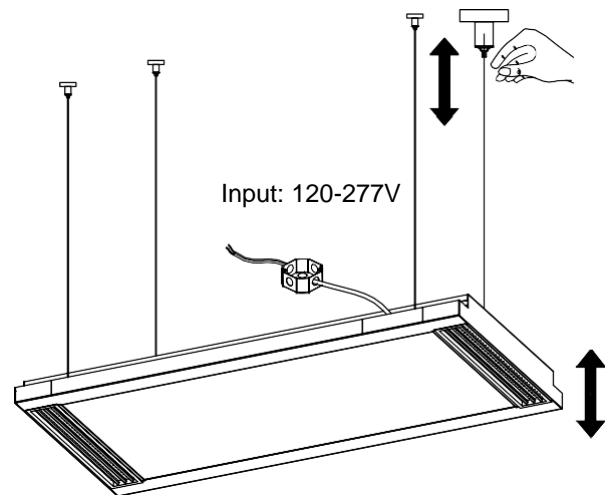
2. Fix the cable on the ceiling .



3. Open the cable box and screw in the suspension cables.



4. Adjust wire lengths as required to fully level fixture.



Note: The installation height is greater than 7ft.

## CALCULATING HOW MANY YOU NEED

Step 1. Calculate your room dimensions

Measure the length(l), width(w) and height(h) of the room and multiply the length by the width and height. This will give you your room's cubic feet (ft<sup>3</sup>).

Step 2. Take the room's ft<sup>3</sup> and divide by 36 for the ft<sup>3</sup> and then by 25 for the ACH value. Round the answer up to the nearest whole number. The answer is how many fixtures you'll need per room.

Note: Due to Covid-19 restrictions and guidance from the CDC, we do not recommend more than 1 person occupying less than 132ft<sup>2</sup>. In these circumstances, change the ACH value in the calculations above to 15.

### Example:

Cubic feet (ft<sup>3</sup>) = 10'(L) x 12'(W) x 8'(H) = 960 ft<sup>3</sup>

/

36 (the ft<sup>3</sup> of air flow per minute)

/

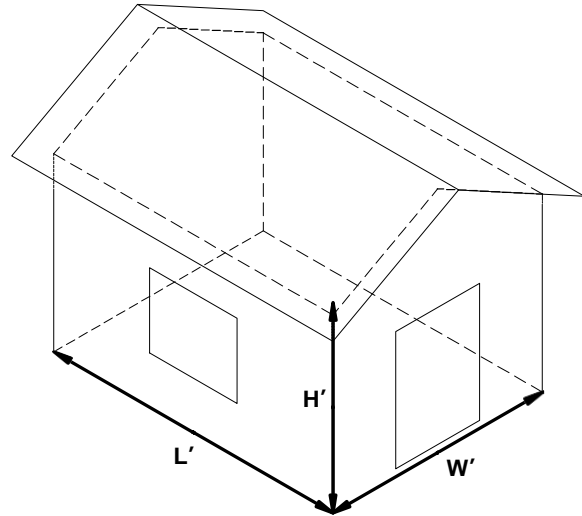
15 (minutes per air circulations/ACH)

=

1.77 (fixtures recommended)

=

2 (rounded up, fixtures recommended)



## THE TECHNOLOGY

Ultraviolet (UV) light disinfection began as early as the mid-20th century. It is a proven and secure technology that has been researched thoroughly by the FDA and the CDC. UV technology is currently used for air, drinking water, waste water, fruits and vegetables as well as medical sterilization cabinets.

## WHAT IS UV-C?

Ultraviolet C (UV-C) is a spectrum of ultraviolet wavelength from 200 to 280nm.

## IS EXPOSURE TO UVC SAFE?

You are not exposed to UV-C when you use our 101 UV-C Light Panel since the UV-C is completely shielded within the disinfection chamber behind the unit and therefore the fixture is safe to use even when a room is occupied. Direct UV-C exposure can itself be very hazardous to human health and is not recommended.

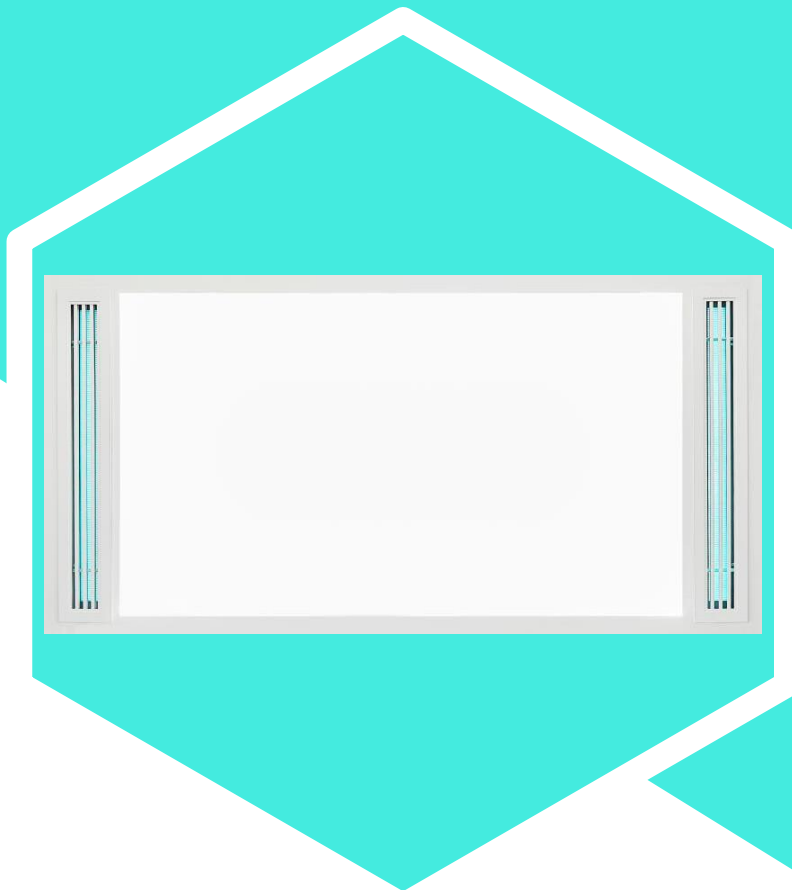
Note: The sun generates massive amounts of UV-C directed at the earth but most of it is absorbed by the atmosphere.

## CAN YOU PROVE YOU CAN KILL PATHOGENS AND IS THIS FIXTURE SAFE?

Ultraviolet germicidal irradiation is thoroughly studied by the CDC and the 101 UV-C Light Panel is built according to CDC technical studies and is UL certified for safety.

\* Please see: <https://www.fda.gov/medical-devices/coronavirus-covid-19-and-medical-devices/uv-lights-and-lamps-ultraviolet-c-radiation-disinfection-and-coronavirus>





# UV<sub>3</sub>VENTX

Offered by

Be Off The Grid com Inc.

1135 Shawnee Church Road

Shawnee on Delaware PA 18356

1-908-507-5809

[info@beoffthegrid.com](mailto:info@beoffthegrid.com)