



Medium Voltage Catalog





Established in 1940, Alroc became since 1980 a leader in the design and manufacturing of cable preparation tools. Our tools are dedicated to any type of cables:

- Energy cables (low, medium and high voltage)
- Optic fiber and telecommunication cables
- Coaxial and special cables

Thanks to its design department and to its know-how, Alroc is able to customize existing products or design new products according to customer's specific requirements and following the trend of the cable manufacturing industry.

Alroc is certified ISO-9001 and follow the safe and precise principle: Safe for the user, precise for the cable.

Come to visit our company and foundry, our general manager and its team will be happy to welcome you !



Over 500 companies trust us



Design and products customization



Worldwide distributed



Over 3000 products part number



SUMMARY

Part 1

Outer sheath

Part 2

Semi conductor

Part 3

Insulation

Part 4

Multifunctions

Part 5

Other applications



Part 1 : Outer sheath

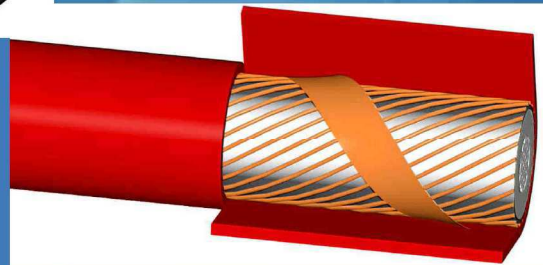
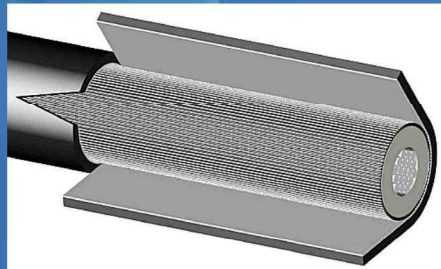
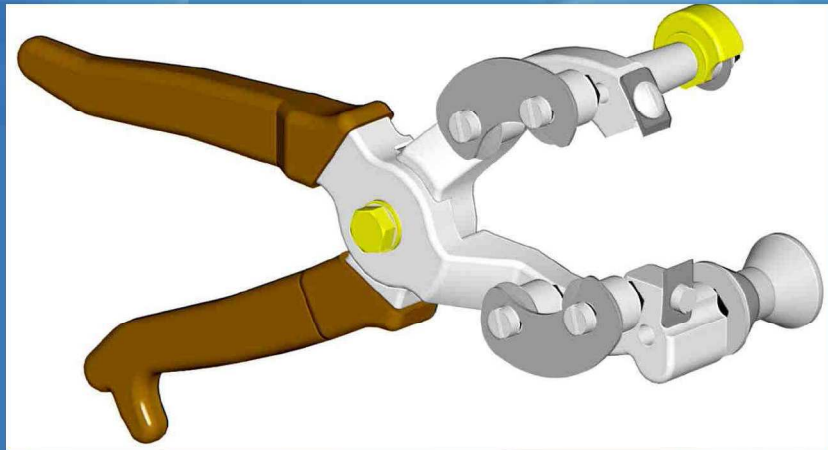




ALROC - MV - Outer sheath PG HTA/

P
G

H
T
A



ALROC

Z.I de la
fonderie
72160 Tuffé
France

Phone :
33.(0)2.43.71.11.80
Fax :
33.(0)2.43.71.16.51
Web :www.alroc.fr
E-mail :
commercial@alroc.fr

FUNCTIONS

The PG4MV/2833 (brown handles) pliers remove PE, PVC, PR, rubber sheaths from medium voltage cables.

CHARACTERISTICS

- ☞ Sheath removal
- ☞ Speed, lightness

PG	Sheath diameter	Réf :	Weight
CHOICE	21 mm to 35 mm	PG2 HTA	500 g
	26 mm to 52 mm	PG3 HTA	600 g
	47 mm to 75 mm	PG4 HTA	870 g

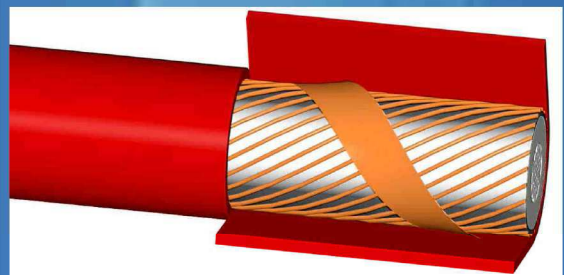
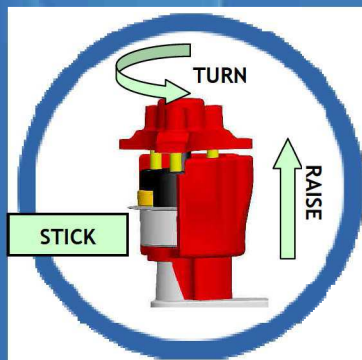


ALROC - LV - Outer Sheath PINTEL4R - PRG3 - PRG4

PINTEL4R

PRG3

PRG4



ALROC

Z.I de la
fonderie
72160 Tuffé
France

Phone :
33.(0)2.43.71.11.80
Fax :
33.(0)2.43.71.16.51
Web :www.alroc.fr
E-mail :
commercial@alroc.fr

FUNCTIONS

PR4, PRG3 and PRG4 pliers are specially made to remove cable sheath changing longitudinal cutting penetration by rotation and indication of a 3 positions head or changing longitudinal head.

CHARACTERISTICS

- ☞ Sheath cutting
- ☞ Assembly and fast dismantling of the head.
- ☞ Detachable head between 3 pliers.
- ☞ 3 head positions (max penetration 3.5mm) or 1 head position.

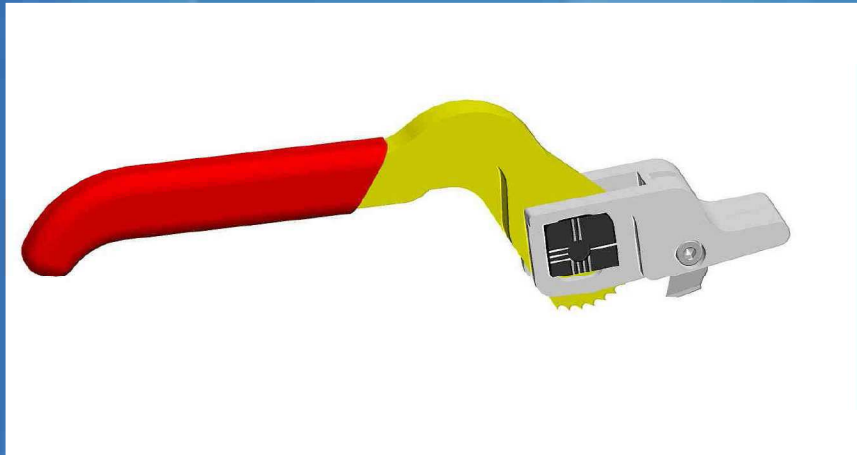
Pliers
Choice

Sheath diameter	Ref :	WEIGHT
10 mm to 28 mm	PINTEL4R/....	600 g
28 mm to 52 mm	PRG3/....	680 g
47 mm to 75 mm	PRG4/....	890 g



ALROC - MV - Outer sheath OGA

O
G
A



ALROC

Z.I de la
fonderie
72160 Tuffé
France

Phone :
33.(0)2.43.71.11.80
Fax :
33.(0)2.43.71.16.51
Web : www.alroc.fr
E-mail :
commercial@alroc.fr

FUNCTIONS

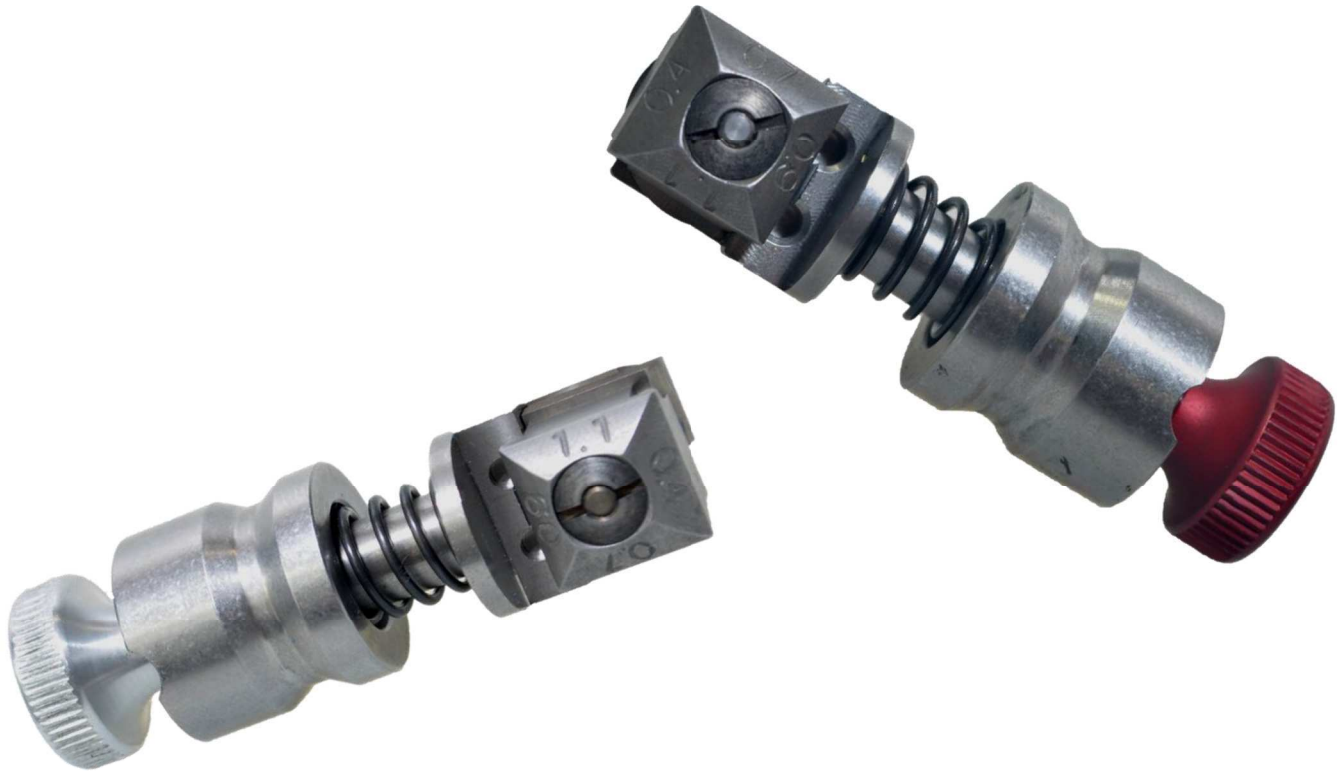
OGA tool allows to realize
only a longitudinal cutting
on the sheath.

CHARACTERISTICS

☞ Stripping of outer sheath PE,
PVC, PR of unipolar and
tripolar cables.

☞ Delivery in a protection
toolbox

L : 180 mm Weight: 270g
ℓ : 26 mm
H : 62 mm



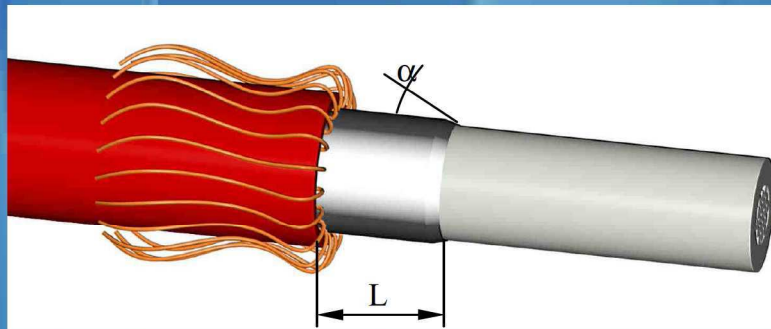
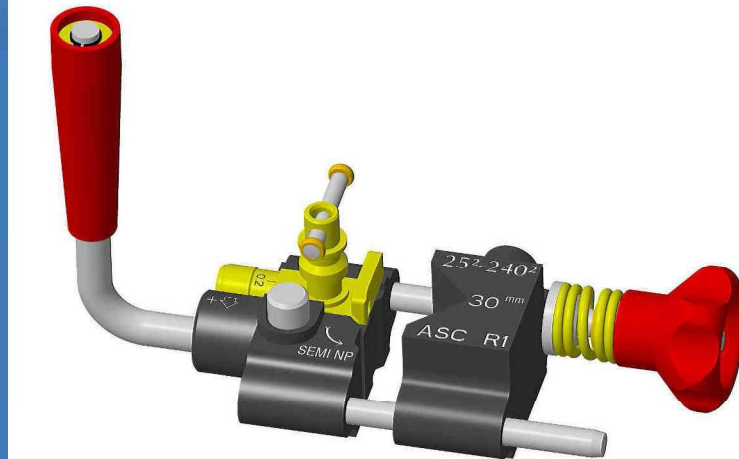
Part 2 : Semi conductor





ALROC - MV - Bonded semi-conductor ASC

A
S
C



ALROC

Z.I de la
fonderie
72160 Tuffé
France

Phone :
33.(0)2.43.71.11.80
Fax :
33.(0)2.43.71.16.51
Web : www.alroc.fr
E-mail :
commercial@alroc.fr

FUNCTIONS

ASC tool removes the bonded semi-conductor from MV and HV cables and chamfers the semi-conductor in a clean and swift manner.

CHARACTERISTICS

- ☞ Removal of the bonded semi-conductor
- ☞ The blade is adjustable from 0.4mm to 1.4mm

ASC
CHOICE

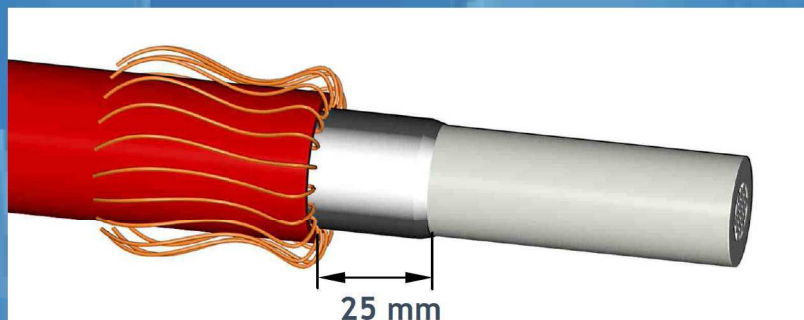
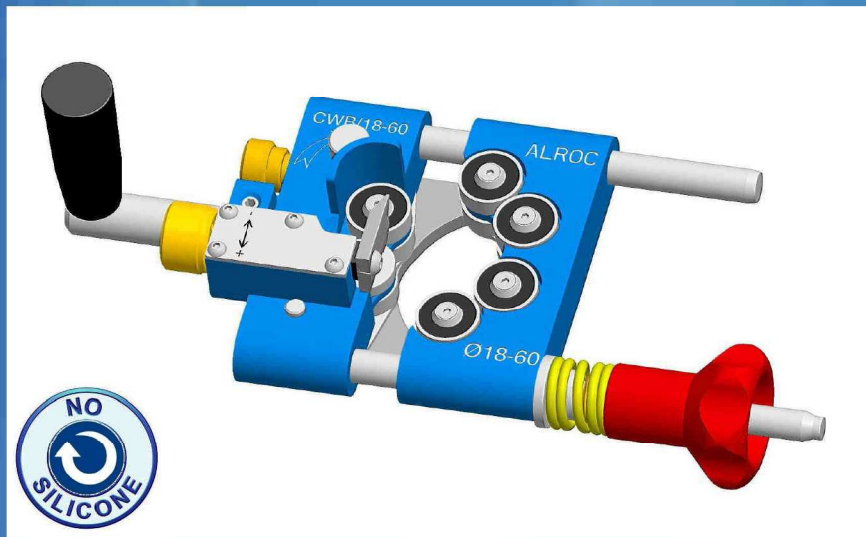
L	Cable	Cable
Length of semi-con left	Ø14 to 40mm	Ø38 to 60mm
15 mm	ASC 15R1	
20 mm	ASC 20R1	
25 mm	ASC 25R1	ASC 25R2
30 mm	ASC 30R1	ASC 30R2
40 mm	* ASC 40R1	* ASC 40R2
* Weight	650 g	850 g



ALROC - MV - BONDED SEMI-CONDUCTOR CWB/18-60-FEP



C
W
B
/18
-60
-FEP



ALROC

Z.I de la
fonderie
72160 Tuffé
France

Tél. : 02 43 71 11 80
Fax : 02 43 71 16 51
Web : www.alroc.fr
commercial@alroc.fr

FONCTIONS

CWB/18-60-FEP tool allows to remove the bonded semi-conductor while realizing a chamfer in a clean and swift manner.

Minimum odds : 25, 30 or 40mm with the setting sheet.

CARACTERISTIQUES

- ☞ Removal of the bonded semi-conductor without lubrication.
- ☞ Depth of cutting set from 0.4mm to 1.8mm by 0.1mm.
- ☞ Chamfer angle at 13°.
- ☞ Capacity : Ø18 to 60mm on the semi-conductor.

L : 235 mm Weight : 850g
ℓ : 125 mm
H : 90 mm



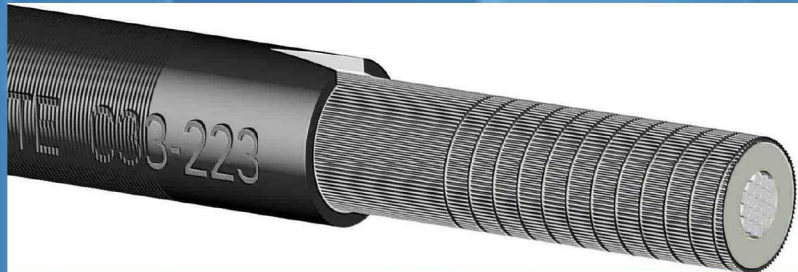
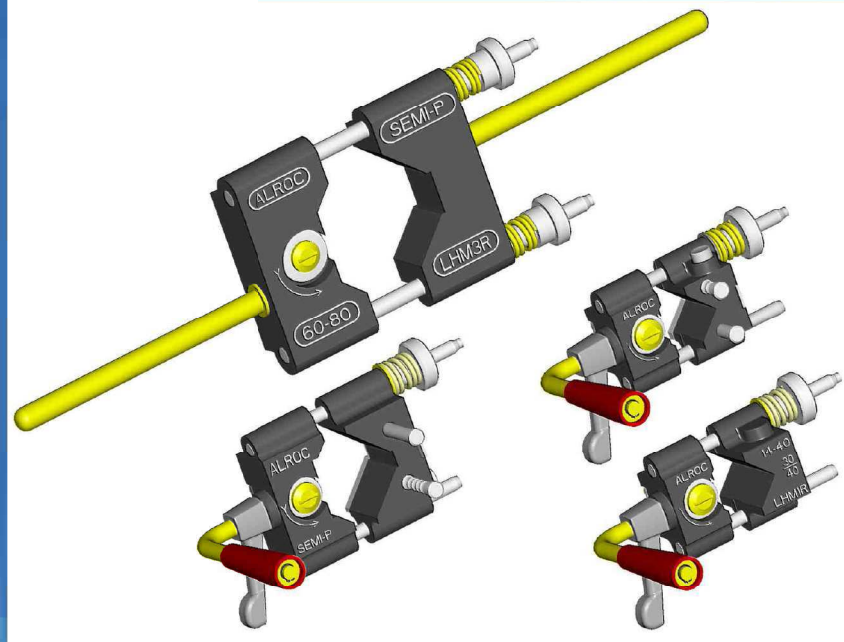
ALROC - MV - Peelable semi-conductor LHM

LHM1R
30/40

LHM1R
30/45E

LHM2R
30/60

LHM3R



ALROC

Z.I de la
fonderie
72160 Tuffé
France

Phone :
33.(0)2.43.71.11.80
Fax :
33.(0)2.43.71.16.51
Web : www.alroc.fr
E-mail :
commercial@alroc.fr

FUNCTIONS

The LHM tools realize an incision on peelable semi-conductor to remove it easily with the hand.

CHARACTERISTICS

- ☞ Incision on peelable semi-conductor
- ☞ The blade is previously adjusted

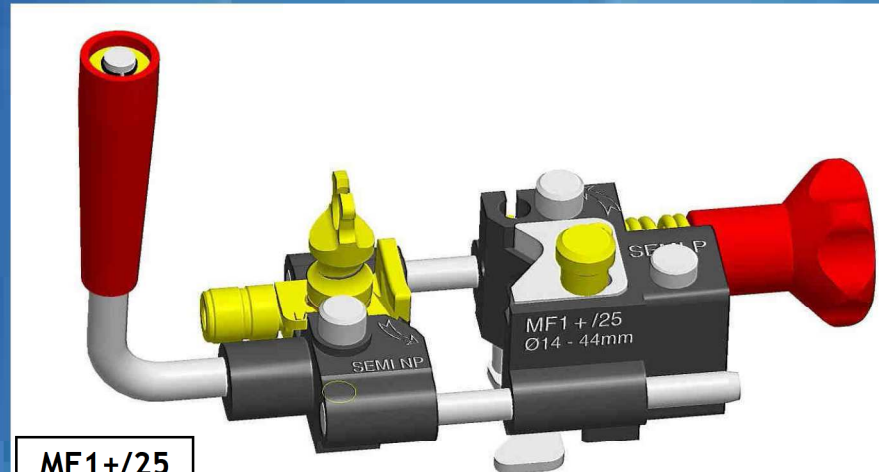
LHM
CHOICE

Semi-con. diameter	Length of semi-con. left	Ref :	Weight
14 à 40mm	30 - 40mm	LHM1R30/40	630 g
14 à 40mm	30 - 40 - 45mm	LHM1R30/45E	660 g
38 à 60mm	30 - 40 - 45 - 55 - 60mm	LHM2R30/60	900 g
60 à 80mm	30mm	LHM3R	1770 g



ALROC - MV - MULTIFONCTION MF1+/25

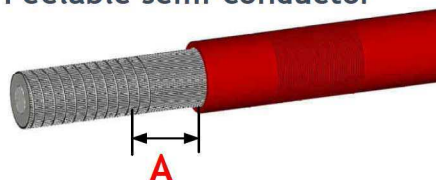
M
F
1
+
/25



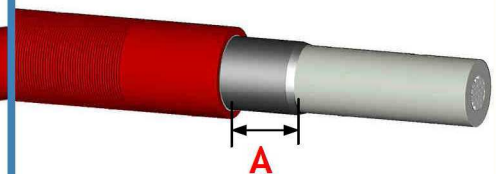
MF1+/25

25
A = 30
40
45

Option :
Peelable semi-conductor



Bonded semi-conductor



ALROC

Z.I de la
fonderie
72160 Tuffé
France

Phone :
33.(0)2.43.71.11.80
Fax :
33.(0)2.43.71.16.51
Web : www.alroc.fr
E-mail :
commercial@alroc.fr

FUNCTIONS

MF1+/25 is an adjustable multifunction tool which allows to :

- Strip the bonded semi-conductor by removing stuff to the required length with chamfer realization

- **Following option A** (see back) straight incision on peelable semi-conductor

- **Following option B** (see back) chamfer realization on end of insulation

CHARACTERISTICS

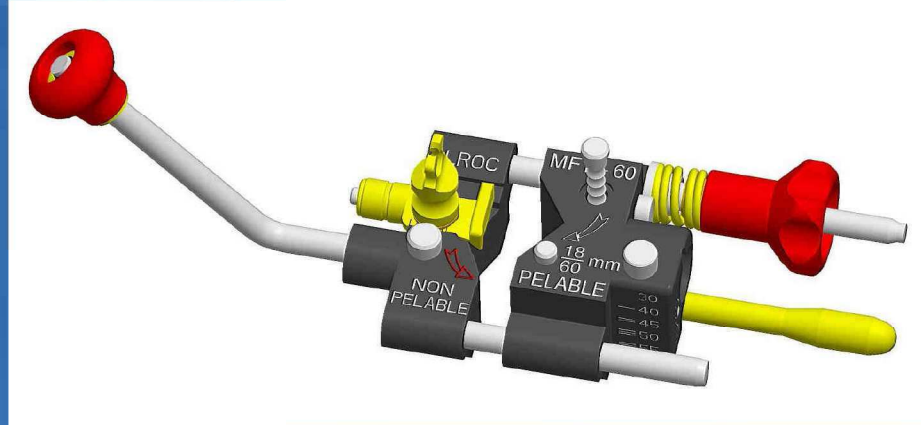
- ☞ Bonded semi-conductor
- ☞ Other functions in option, see back
- ☞ Remaining length of semi-conductor : 25mm
- ☞ Capacity : Ø14 to 44mm. Adjustable blade penetration for bonded semi-conductor 0.4 to 1.4mm.

L : 190 mm Weight : 830 g
ℓ : 85 mm
H : 125 mm

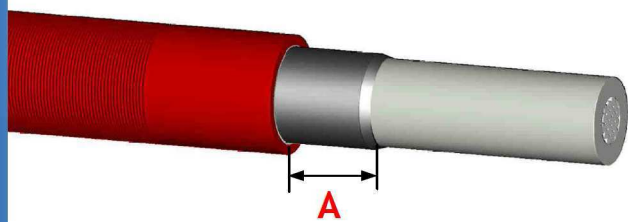


ALROC - MV - MULTIFONCTION MF1+/60

M
F
1
+
/60



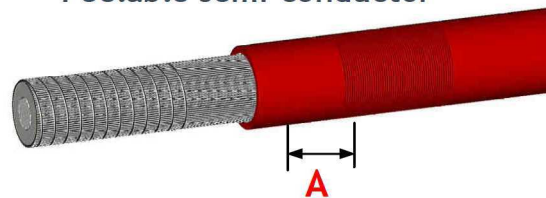
Bonded semi-conductor



MF1+/60

30
40
A = 45
50
55

Peelable semi-conductor



FUNCTIONS

MF1+/60 is an adjustable multifunction tool which allows to :

- Strip the bonded semi-conductor by removing stuff to the required length with chamfer realization

- **Following option A** (see back) straight incision on peelable semi-conductor

- **Following option B** (see back) chamfer realization on end of insulation

CHARACTERISTICS

☞ Bonded semi-conductor
☞ Other functions in option, see back

☞ Remaining length of semi-conductor : 30mm

☞ Capacity : Ø18 to 60mm.
Adjustable blade penetration for bonded semi-conductor from 0.4 to 1.4mm.

L : 305 mm
ℓ : 105 mm
H : 100 mm

Weight : 1.1 kg

ALROC

Z.I de la
fonderie
72160 Tuffé
France

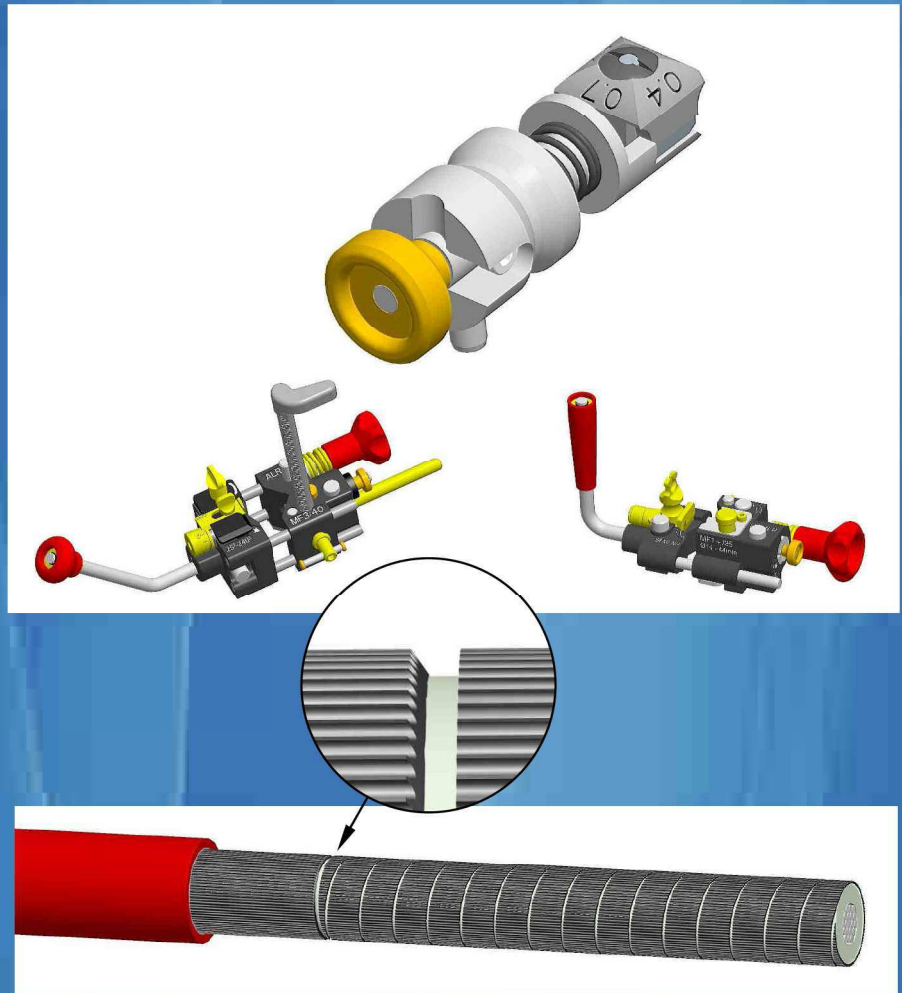
Phone :
33.(0)2.43.71.11.80
Fax :
33.(0)2.43.71.16.51
Web : www.alroc.fr
E-mail :
commercial@alroc.fr



ALROC - MV - Peelable semi-conductor SRC



S
R
C



Z.I de la
fonderie
72160 Tuffé
France

Tél. : 02 43 71 11 80

Fax : 02 43 71 16 51

Web : www.alroc.fr

commercial@alroc.fr

FONCTIONS

SRC stylet allows to cut peelable semi-conductor by performing a chamfer on the stop of the semi-conductor from.

This stylet can be fixed on following tools MF1 and MF1+/25, MF3/40 and MF3/60

CARACTERISTIQUES

☞ Peelable semi-conductor incision with chamfer :

☞ Can be used in following tools :

☞ MF3/40

☞ MF3/60

☞ MF1+/25

L : 63 mm

ℓ : 20 mm

H : 27 mm

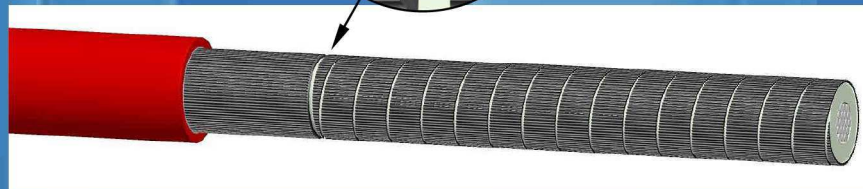
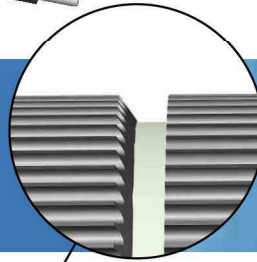
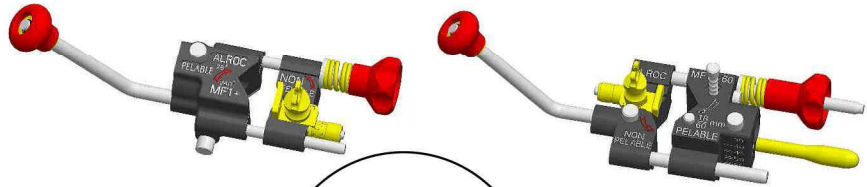
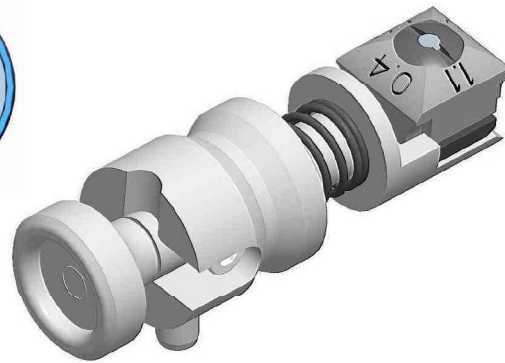
Poids : 80g



ALROC - MV - Peelable semi-conductor SRC-D



S
R
C
-D



ALROC

Z.I de la
fonderie
72160 Tuffé
France

Tél. : 02 43 71 11 80

Fax : 02 43 71 16 51

Web : www.alroc.fr
commercial@alroc.fr

FONCTIONS

SRC styilet allows to cut peelable semi-conductor by performing a chamfer on the stop of the semi-conductor from.

This styilet can be fixed on following tools MF1+ and MF1+/60 et CWF3/60.

CARACTERISTIQUES

☞ Peelable semi-conductor incision with chamfer :

☞ Can be used in following tools :

☞ MF1+

☞ MF1+/60

☞ CWF3/60

L : 63 mm

ℓ : 20 mm

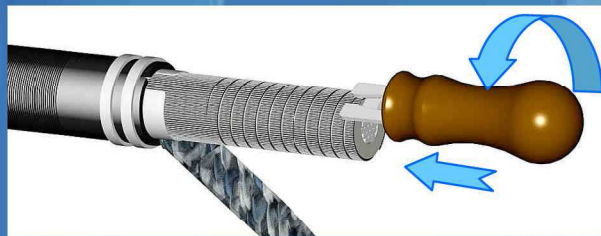
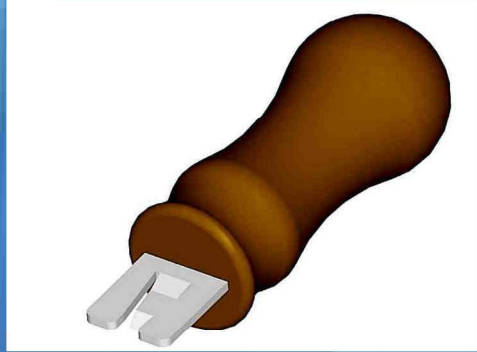
H : 27 mm

Weight : 80g



ALROC - MV - Peelable semi-conductor DSP

D
S
P



Lift off the beginning of the cut peelable semi-conductor



Pull off the length to be stripped with the hand

ALROC

Z.I de la
fonderie
72160 Tuffé
France

Phone :
33.(0)2.43.71.11.80
Fax :
33.(0)2.43.71.16.51
Web : www.alroc.fr
E-mail :
commercial@alroc.fr

FUNCTIONS

DSP tool removes the end of the medium voltage cable peelable semi-conductor after the incision of the LHM1R30/45E tool

CHARACTERISTICS

- To take peelable semi-conductor
- Compatibility with cable 2000 (UTE C 33-223), cable HN 33S23 et cable NFC 33223

L : 108 mm Weight : 130g
ℓ : 35 mm
H : 35 mm

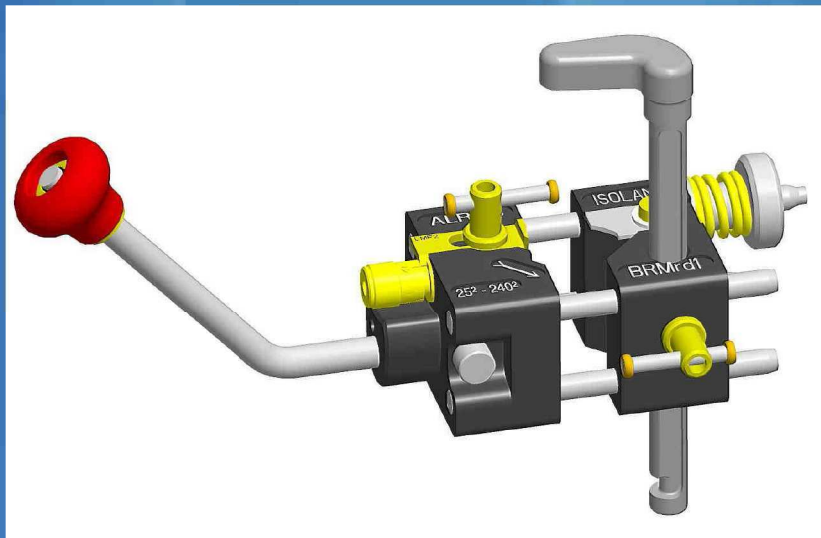


Part 3 : Insulation



ALROC - MV - INSULATION BRMrd1E

B
R
M
r
d
1E



ALROC

Z.I de la
fonderie
72160 Tuffé
France

Phone :
33.(0)2.43.71.11.80
Fax :
33.(0)2.43.71.16.51
Web : www.alroc.fr
E-mail :
commercial@alroc.fr

FUNCTIONS

BRMrd1E tool cuts insulation from medium voltage cables and allows to obtain an insulation straight cutting with the BR stop

CHARACTERISTICS

- ☞ Insulation straight cutting
- ☞ No risk of damage to the cable core
- ☞ Capacity : Diameter on insulation : 14 to 40mm

L : 151 mm Weight : 1100g
ℓ : 92 mm
H : 67 mm



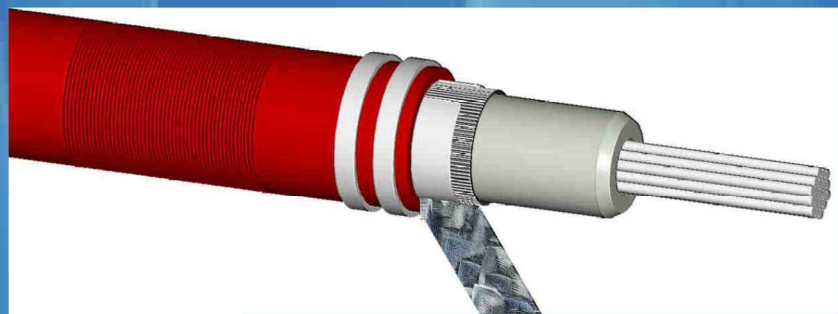
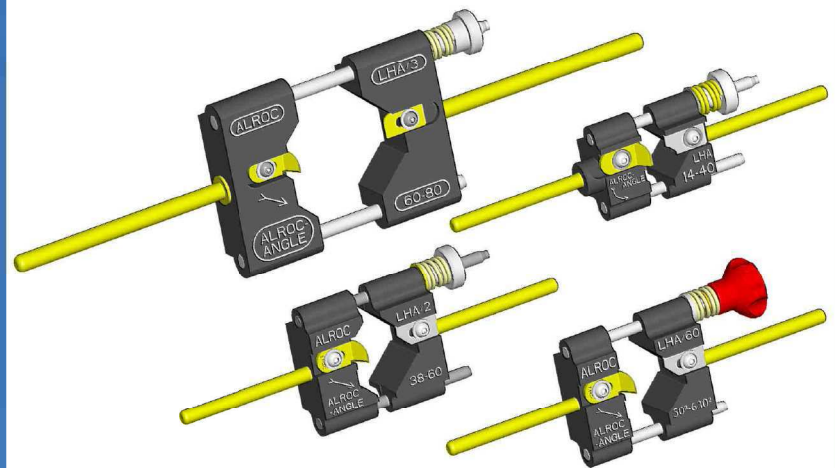
ALROC - MV - Insulation LHA - LHA/60 - LHA2 - LHA3

LHA

LHA/60

LHA2

LHA3



ALROC

Z.I de la
fonderie
72160 Tuffé
France

Phone :
33.(0)2.43.71.11.80
Fax :
33.(0)2.43.71.16.51
Web : www.alroc.fr
E-mail :
commercial@alroc.fr

FUNCTIONS

LHA tool tapers end of insulation and allows a better penetration of pre-moulded joints

CHARACTERISTICS

- ☞ To produce a taper on insulation
- ☞ The blade is previously adjusted

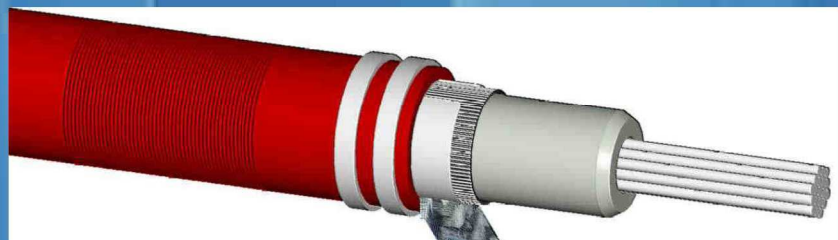
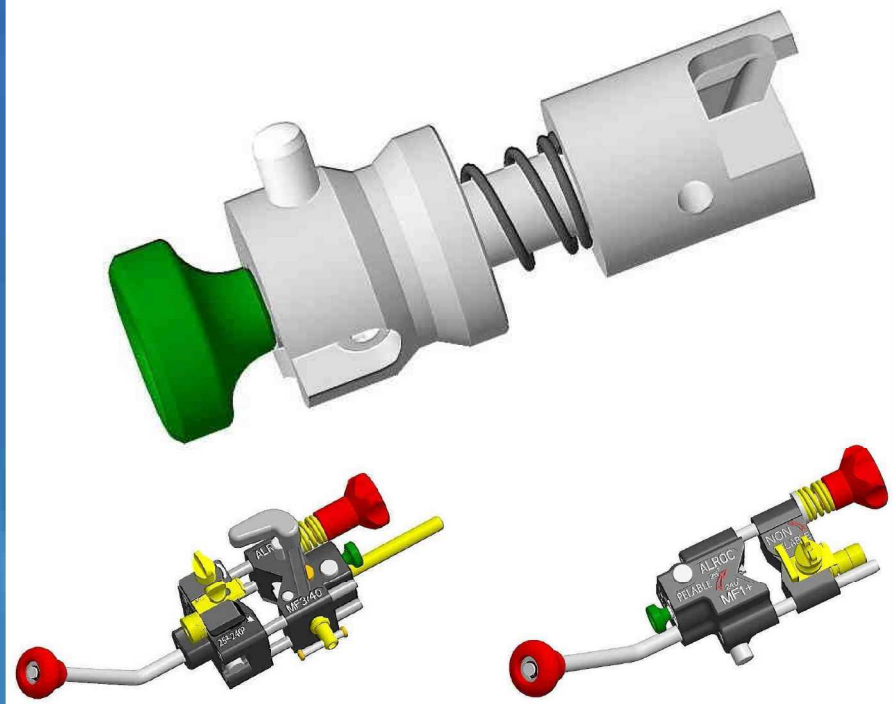
LHA
CHOICE

Insulation diameter	Ref :	Weight
14 mm to 40 mm	LHA	540 g
20 mm to 50 mm	LHA/60	750 g
38 mm to 60 mm	LHA2	750 g
60 mm to 80 mm	LHA3	1560 g



ALROC - MV - Insulation SCH

S
C
H



ALROC

Z.I de la
fonderie
72160 Tuffé
France

Phone :
33.(0)2.43.71.11.80
Fax :
33.(0)2.43.71.16.51
Web : www.alroc.fr
E-mail :
commercial@alroc.fr

FUNCTIONS

SCH stylet allows to perform a chamfer on the cable insulation.

This chamfering stylet is assembled on following tools : MF1 and MF1/60, MF1+ and MF1+/60, MF3/40 and MF3/60

CHARACTERISTICS

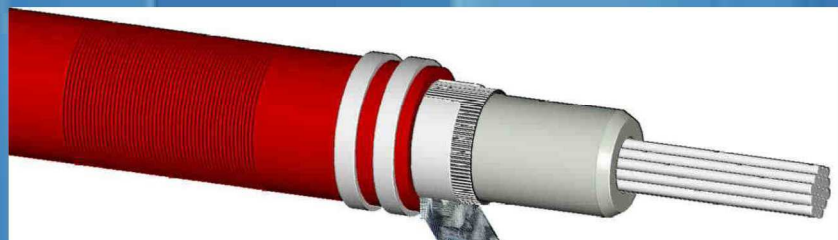
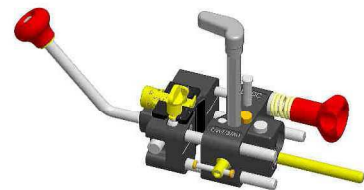
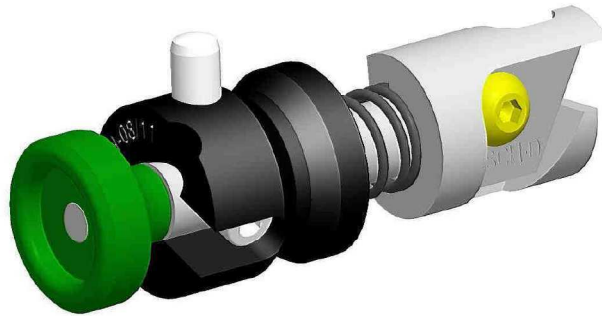
☞ Realization of a chamfer on insulation with :

- ☞ MF1
- ☞ MF1/60
- ☞ MF1+
- ☞ MF1+/25
- ☞ MF1+/60
- ☞ MF3/40
- ☞ MF3/60



ALROC - MV - Insulation SCH-D

S
C
H
-D



ALROC

Z.I de la
fonderie
72160 Tuffe
France

Phone :
33.(0)2.43.71.11.80
Fax :
33.(0)2.43.71.16.51
Web : www.alroc.fr
E-mail :
commercial@alroc.fr

FUNCTIONS

SCH-D styler allows to perform a chamfer on the cable insulation.

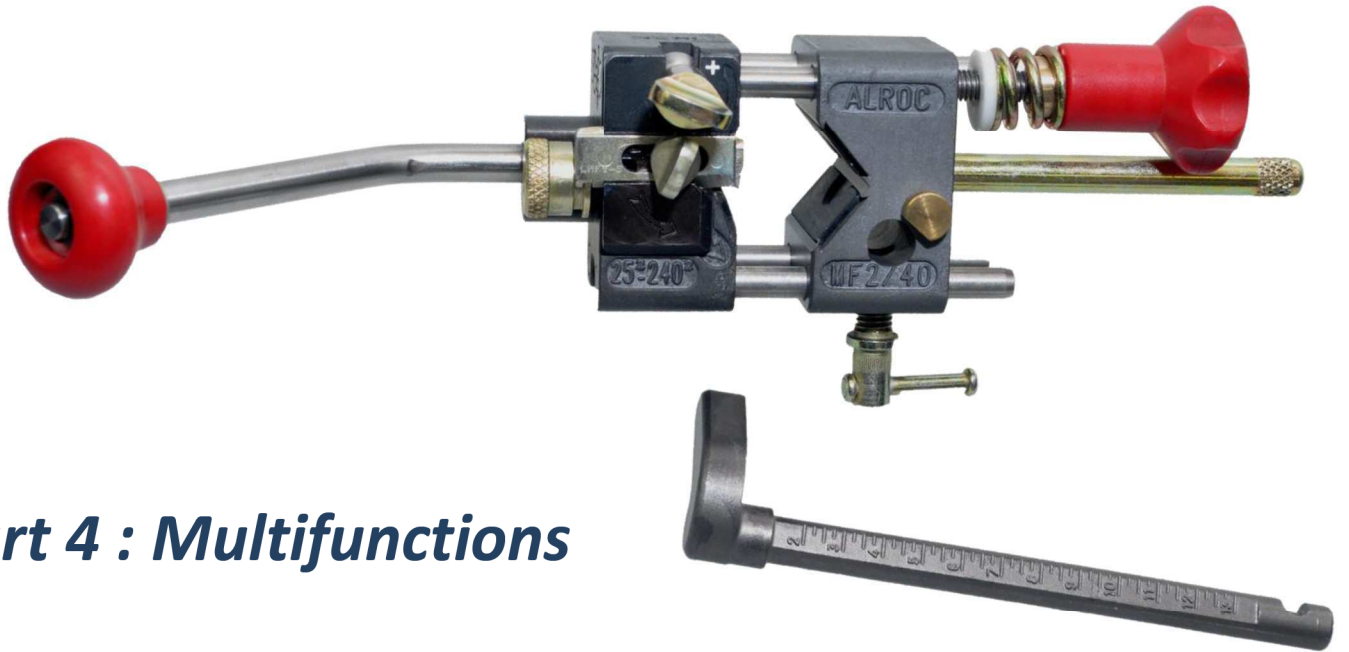
This chamfering styler is assembled on following tools : CWF3/60

CHARACTERISTICS

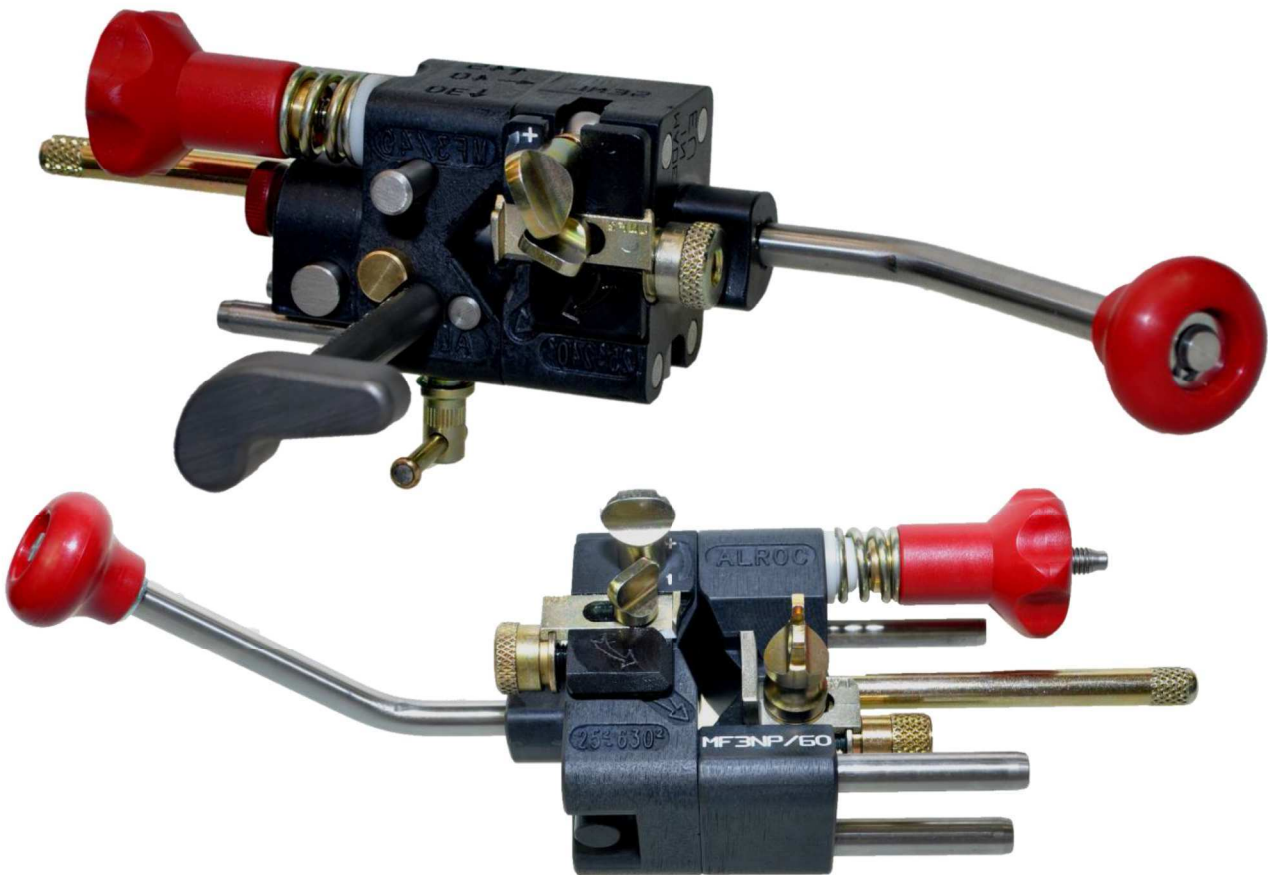
☞ Realization of a chamfer on insulation with :

☞ CWF3/60

L : 65 mm Weight : 60 g
W : 20 mm
H : 30 mm



Part 4 : Multifunctions





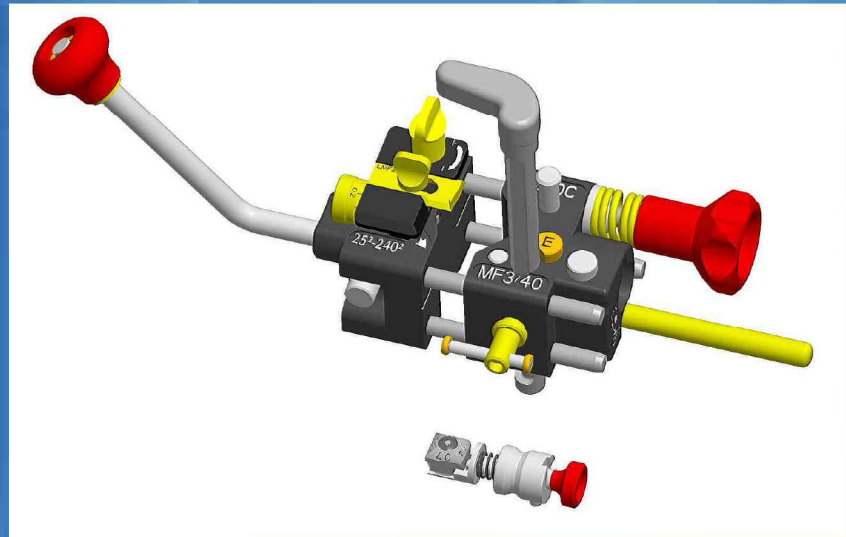
ALROC - MV - MULTIFUNCTION MF3/40 - MF3/60

M
F
3/

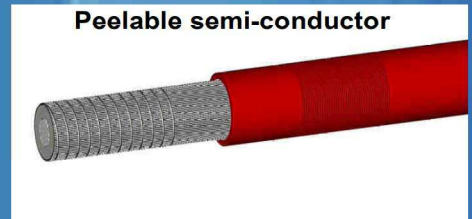
MF3/40

MF3/60

Styilet SR



Outer sheath



Peelable semi-conductor



Insulation

ALROC

Z.I de la
fonderie
72160 Tuffé
France

Phone :
33. (0)2.43.71.11.80
Fax :
33.(0)2.43.71.16.51
Web : www.alroc.fr
E-mail:
commercial@alroc.fr

FUNCTIONS

The MF3 is an adjustable multifunction tool which allows to :

- Perform a straight and helicoïdal regular cutting on the cable outer sheath PE-PVC-PR
- Perform a straight and helicoïdal regular incision of cable peelable semi-conductor to unstick it manually
- Perform a straight and helicoïdal regular cutting of the insulation to the required length

CHARACTERISTICS

- ☞ Outer sheath
- ☞ Peelable semi-conductor
- ☞ Insulation

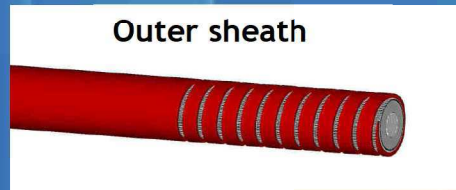
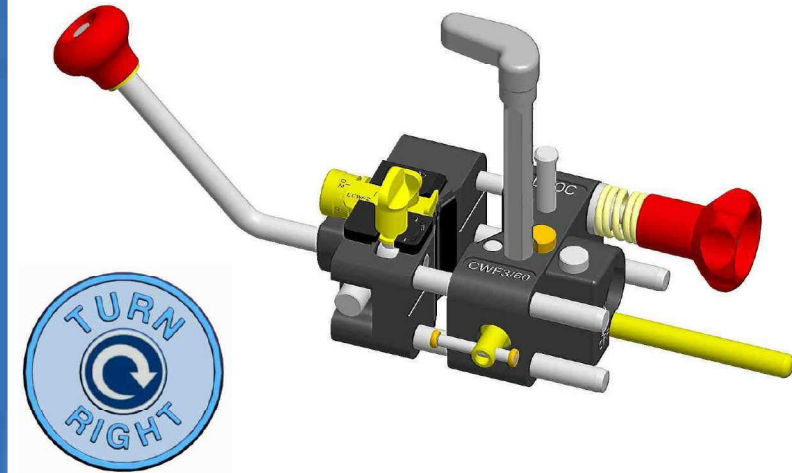
Model	MF3/40	MF3/60
Diameter	16 - 40 mm	16 - 58 mm
Sections	25 ² - 240 ²	25 ² à 630 ²
Length	165 mm	185 mm
Width	80 mm	90 mm
Height	100 mm	120 mm
Weight	1,520 Kg	1,650 Kg



ALROC - MV - MULTIFONCTION CWF3/60



C
W
F
3/
60



Outer sheath



Insulation



Option : Pelable semi-conductor



Option : Chamfer on the insulation



Z.I de la
fonderie
72160 Tuffé
France

Tél. : 02 43 71 11 80

Fax : 02 43 71 16 51

Web : www.alroc.fr
commercial@alroc.fr

FUNCTIONS

- CWF3/60 works clockwise and enables to :
- The outer sheath (PE-PVC-PR) of the cables
 - Remove the length of insulation that you want
 - **according to the option** : (see back of the page) to score the pelable semi-conductor with chamfer or straight cut
 - **according to the option** (see back of the page) to perform a chamfer on the insulation

SPECS

- ☞ Outer sheath
 - ☞ Insulation
 - ☞ Other options (see back of the page)
 - ☞ Clockwise working tool
 - ☞ Capacity : Ø16 à 58 mm (section 25² to 630²)
- L : 305 mm Weight : 1.67 kg
W : 115 mm
H : 165 mm
- *Sections are given as e.g for cables ranging from 12/20kv known by our design department. For other voltage ratings, please look at the O.D diameter of the cable

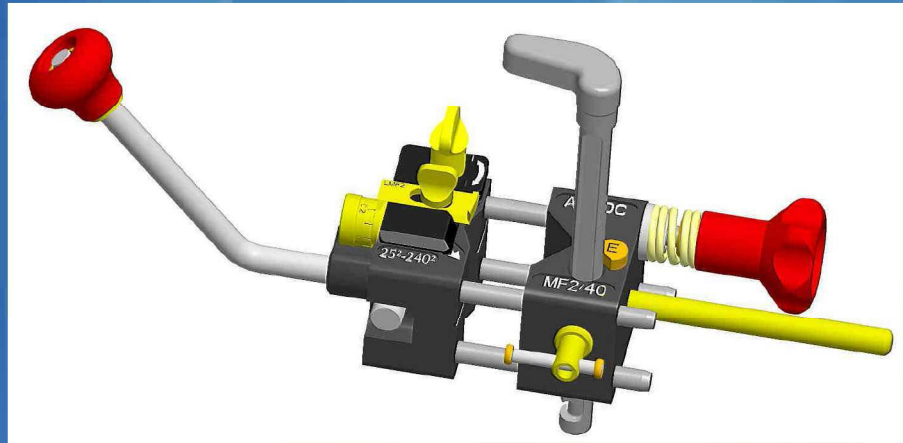


ALROC - MV - MULTIFUNCTION MF2/40 - MF2/60

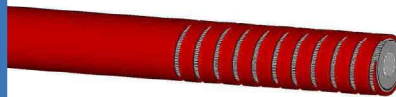
M
F
2/

MF2/40

MF2/60



Outer sheath



Insulation



ALROC

Z.I de la
fonderie
72160 Tuffé
France

Phone :
33. (0)2.43.71.11.80
Fax :
33.(0)2.43.71.16.51
Web : www.alroc.fr
E-mail:
commercial@alroc.fr

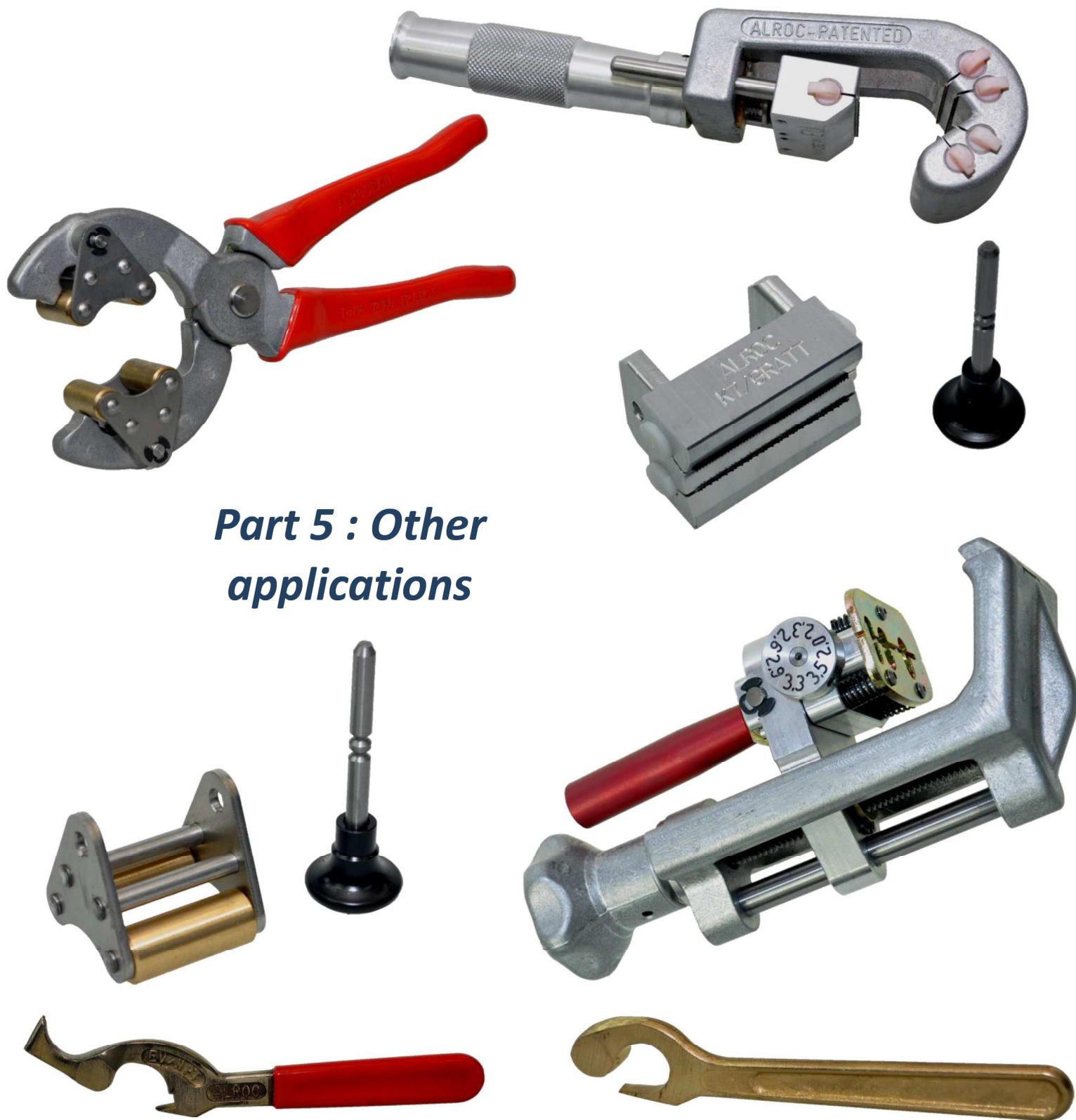
FUNCTIONS

Adjustable multifunction tool which allows to perform on cables PE PVC and PR outer sheath and insulation an helicoidal and regular cutting at the required length.

CHARACTERISTICS

☞ Compatibility with cables C33-226, UTE C 33-223, NFC 33-223, HN 33 S 23

Model	MF2/40	MF2/60
Diameter	16 - 40 mm	16 - 58 mm
Sections	25 ² - 240 ²	25 ² - 630 ²
Length	150 mm	170 mm
Width	80 mm	90 mm
Height	100 mm	120 mm
Weight	1,240 Kg	1,400 Kg

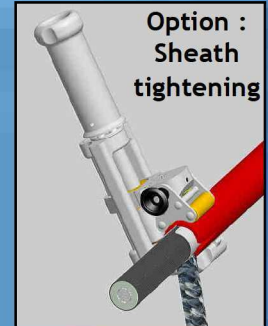
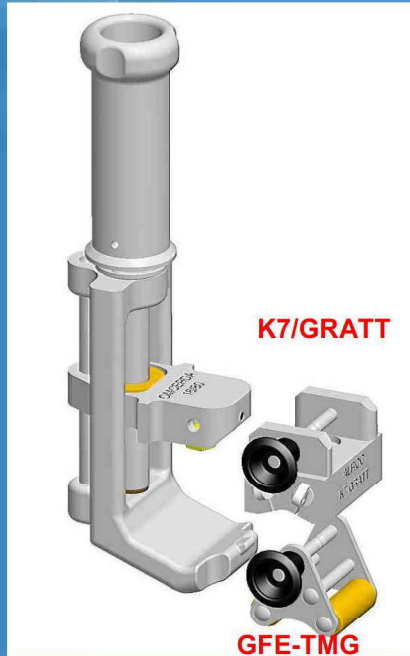


Part 5 : Other applications

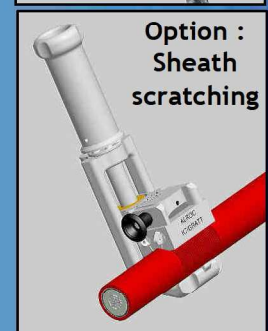


ALROC - MV - MULTIFONCTION ROTO-TMG

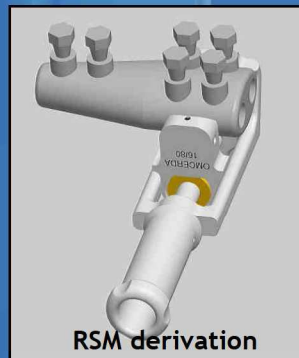
R
O
T
O
-
T
M
G



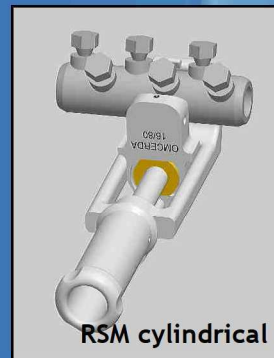
Option :
Sheath
tightening



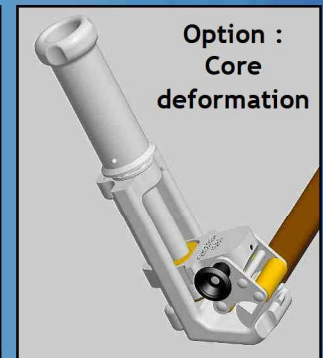
Option :
Sheath
scratching



RSM derivation



RSM cylindrical



Option :
Core
deformation

ALROC

Z.I de la
fonderie
72160 Tuffé
France

Phone :
33.(0)2.43.71.11.80
Fax :
33.(0)2.43.71.16.51
Web : www.alroc.fr
E-mail :
commercial@alroc.fr

FUNCTIONS

ROTO-TMG tool allows to hold mechanical straight joint connectors.

GFE-TMG option allows to lightly deform the sectoral core from cable. It also allows to tighten the sheath into metallic tape.

K7/GRATT option allows to perform the outer sheath abrasion

CHARACTERISTICS

☞ Fast assembly and disassembly of the k7

☞ Cables :
C33-226 (Popy, Nikol and Vinyl)
UTE C33-223 (cable 2000)
NFC33-223 - HN33 S 23

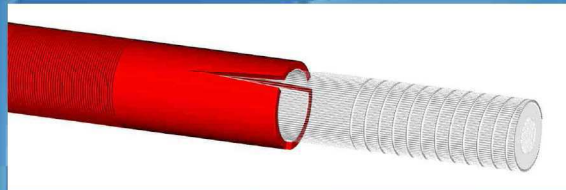
☞ Capacity : 50mm² to 630mm²
Ø16 to 60mm

L : 255 mm Weight : 1.1 kg
ℓ : 85 mm
H : 90 mm



ALROC - MV - Outer sheath ALROC-FENTE

ALROC - F E N T E



ALROC

Z.I de la
fonderie
72160 Tuffé
France

Phone :
33.(0)2.43.71.11.80

Fax :
33.(0)2.43.71.16.51

Web : www.alroc.fr

E-mail :
commercial@alroc.fr

FUNCTIONS

ALROC-FENTE tool allows to perform 1, 2, 3 or 4 splits on outer sheath from cables before sheath spreading or sheath widening.

CHARACTERISTICS

- ☞ Splits on outer sheath
- ☞ Easy way to carry out the splits
- ☞ Compatibility with C 33-226, UTE C 33-223 HN 33S23 et NFC 33223 cables.

☞ Capacity : 25 to 630mm²
Ø16 to 60mm
Sheath thickness : 2 to 3.5 mm

L : 270 mm Weight : 1 kg

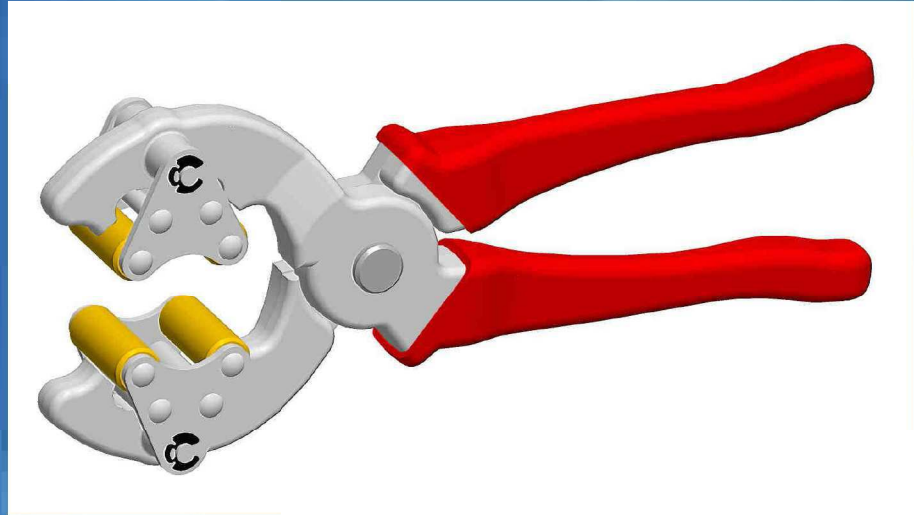
ℓ : 75 mm

H : 145 mm



ALROC - MV - Outer sheath ALROCRAN

A
L
R
O
C
R
A
N



ALROC

Z.I de la
fonderie
72160 Tuffé
France

Phone :
33.(0)2.43.71.11.80
Fax :
33.(0)2.43.71.16.51
Web : www.alroc.fr
E-mail :
commercial@alroc.fr

FUNCTIONS

ALROCRAN pliers allow to tighten uniformly the medium voltage cable sheath and warrant a good penetration of the splinter sheet into metallic tape.

CHARACTERISTICS

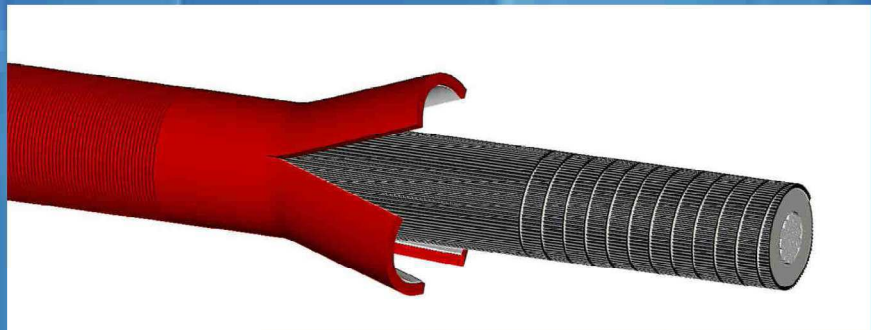
- ☞ Tap of screen laying
- ☞ Compatibility C33-226, cable 2000 (UTE C 33-223), cable HN 33S23 et cable NFC 33223
- ☞ Capacity: sections from 50mm² to 240mm²

L : 281 mm Weight: 830g
ℓ : 104 mm
H : 48 mm



ALROC - MV - Sheath EV/NPT

E
V
/N
P
T



ALROC

Z.I de la
fonderie
72160 Tuffé
France

Phone :
33.(0)2.43.71.11.80

Fax :
33.(0)2.43.71.16.51

Web : www.alroc.fr

E-mail :
commercial@alroc.fr

FUNCTIONS

EV/NPT is designed to spread the outer sheath small tongues from C33-226 cable without damaging the metalical screen to position the screen.

CHARACTERISTICS

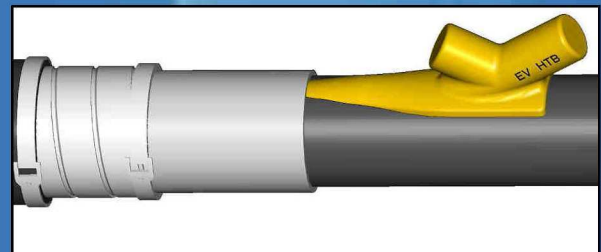
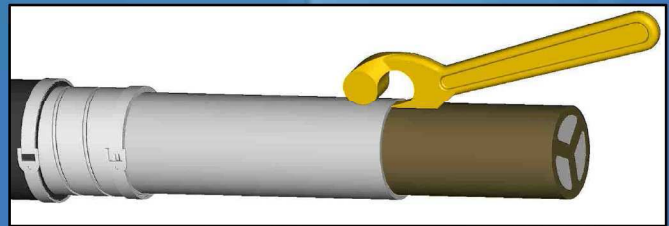
- ☞ Small tongues spreading from the Outer sheath
- ☞ Compatibility with C33-226 (See instructions for use NIKOL and POPY)
- ☞ Capacity : sections from 50mm² to 630 mm²

L : 230 mm Weight : 240g
ℓ : 15 mm
H : 40 mm



ALROC - LV - MV - HV - Sheath EVP - EV HTB

E
V



ALROC

Z.I de la
fonderie
72160 Tuffé
France

Phone :
33.(0)2.43.71.11.80
Fax :
33.(0)2.43.71.16.51
Web : www.alroc.fr
E-mail :
commercial@alroc.fr

FUNCTIONS

EVP and EV-HTB spreaders facilitate the lead spreading in regards to the semi-conductive sheet.

CHARACTERISTICS

- ☞ Lead sheath spreading
- ☞ EVP for LV and MV cables
- ☞ EV-HTB for HV cables